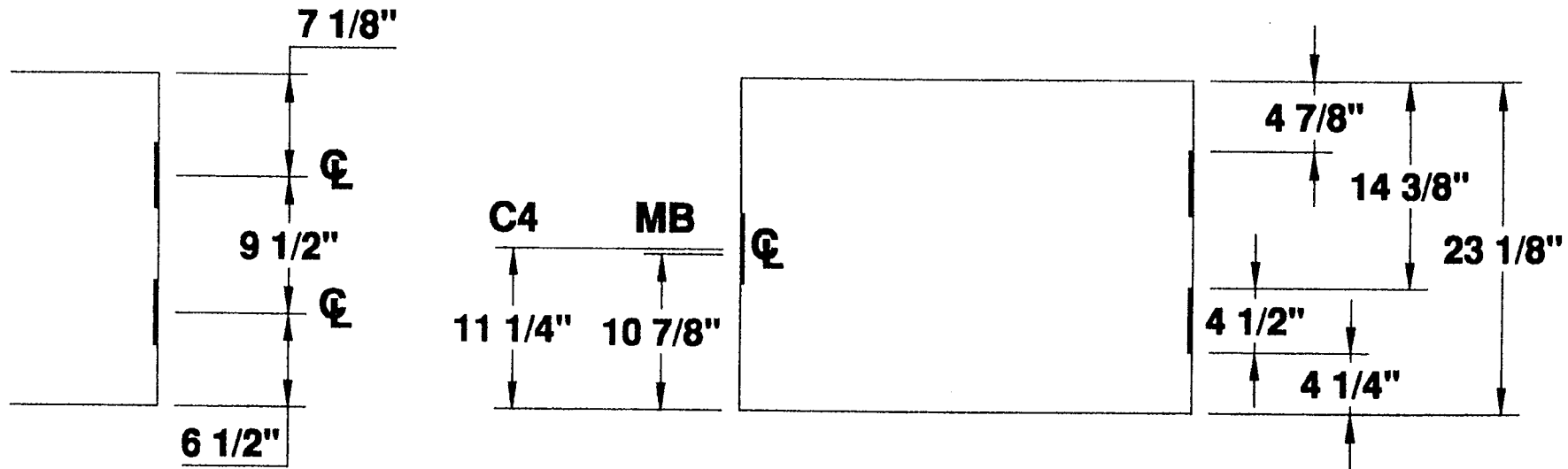


**STANDARD
2'-0" TO 2'-11"
DOOR HEIGHTS**

**4 1/2" HINGES
2 HG 2'-0" DOOR**



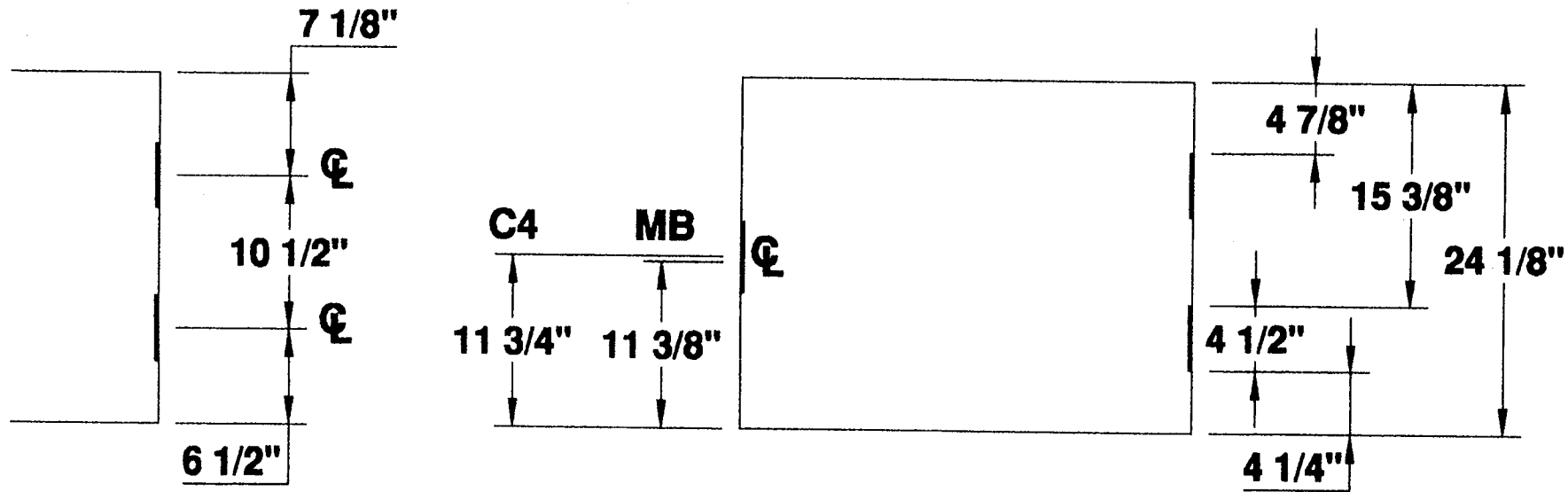
2 HINGE 2'-0" STANDARD DOOR LOCATIONS



**4 1/2" HINGE
—DETAILS—
TWO HINGE DOOR**

PROJECT STANDARD LOCATIONS
 ORDER N/A DATE _____
 PREPARED BY SJS SHEET 1 OF 1
 Standard Detail # D2H-412-2FT-OIN

**4 1/2" HINGES
2 HG 2'-1" DOOR**



2 HINGE 2'-1" STANDARD DOOR LOCATIONS

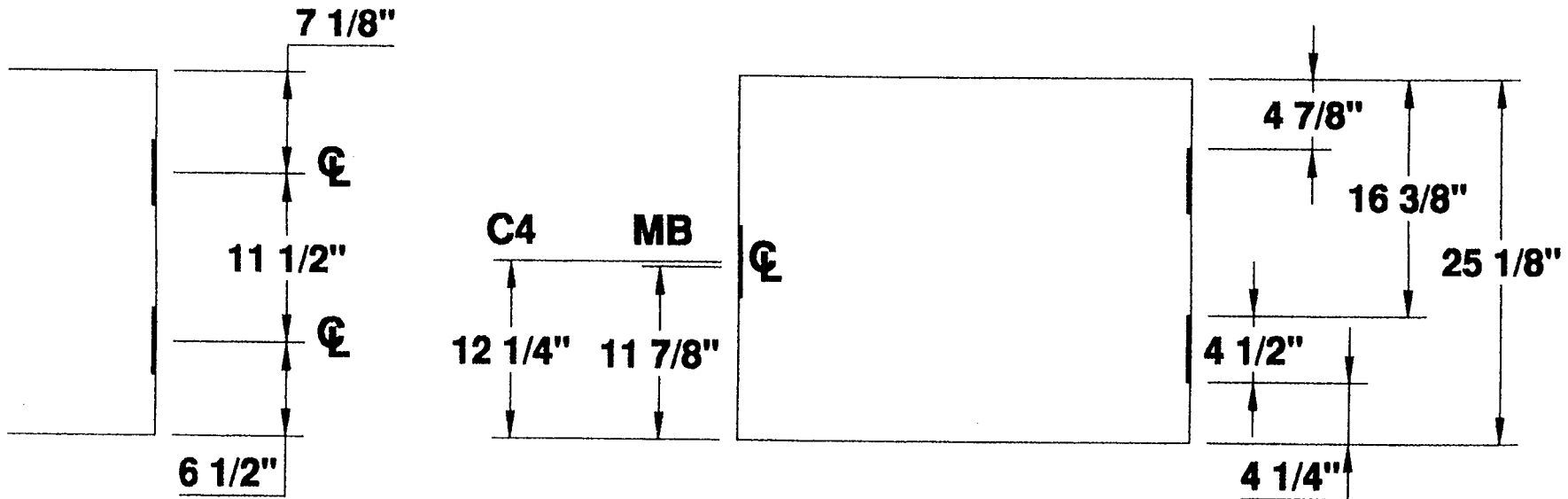


MESKER DOOR INC.
SINCE 1884 THE FIRST DOOR and STILL THE FIRST DOOR

**4 1/2" HINGE
—DETAILS—
TWO HINGE DOOR**

PROJECT STANDARD LOCATIONS
ORDER N/A DATE _____
PREPARED BY SJS SHEET 1 OF 1
Standard Detail # D2H-412-2FT-1IN

**4 1/2" HINGES
2 HG 2'-2" DOOR**



2 HINGE 2'-2" STANDARD DOOR LOCATIONS

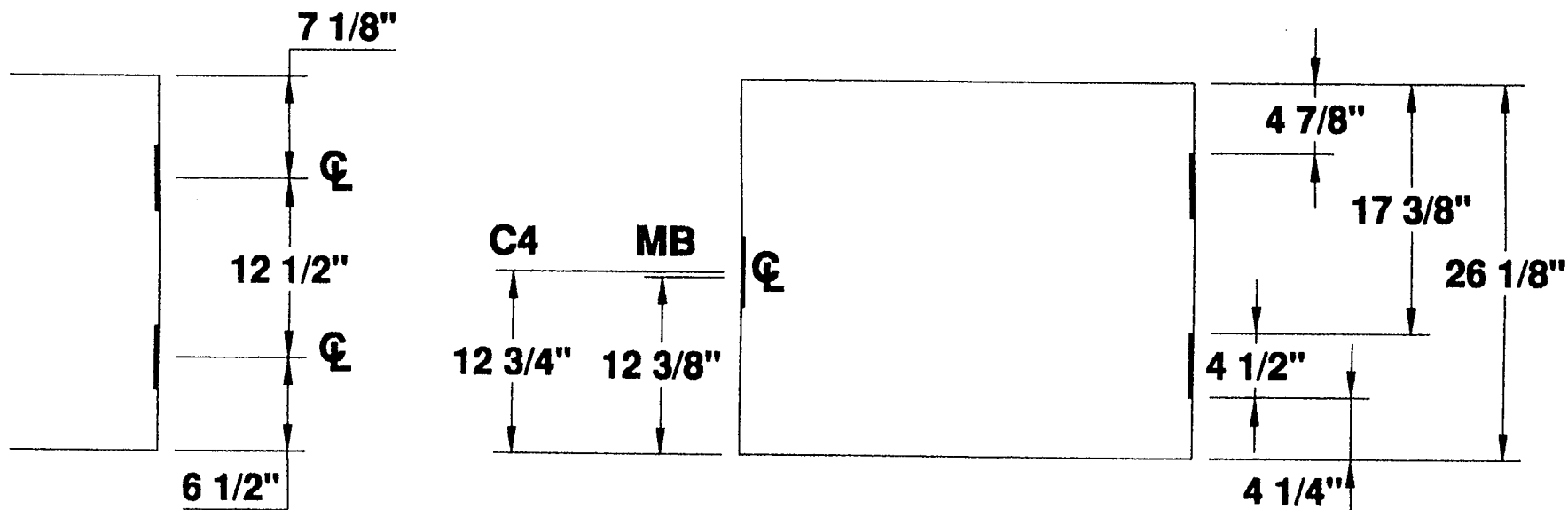


MESKER DOOR INC.
SINCE 1964 THE FIRST DOOR and STILL THE FIRST DOOR

**4 1/2" HINGE
— DETAILS —
TWO HINGE DOOR**

PROJECT STANDARD LOCATIONS
ORDER N/A DATE _____
PREPARED BY SJS SHEET 1 OF 1
Standard Detail # D2H-412-2FT-2IN

**4 1/2" HINGES
2 HG 2'-3" DOOR**



2 HINGE 2'-3" STANDARD DOOR LOCATIONS



MESKER DOOR INC.

SINCE 1964 THE FIRST DOOR and STILL THE FIRST DOOR

**4 1/2" HINGE
—DETAILS—
TWO HINGE DOOR**

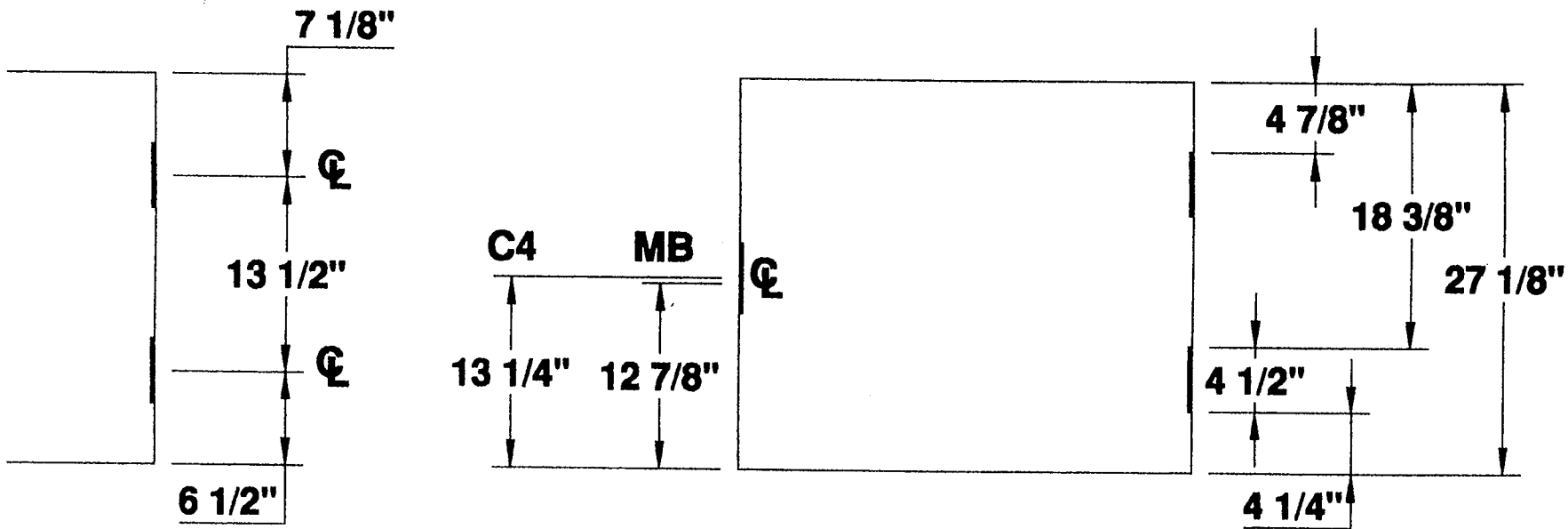
PROJECT STANDARD LOCATIONS

ORDER N/A DATE _____

PREPARED BY SJS SHEET 1 OF 1

Standard Detail # D2H-412-2FT-3IN

**4 1/2" HINGES
2 HG 2'-4" DOOR**



2 HINGE 2'-4" STANDARD DOOR LOCATIONS

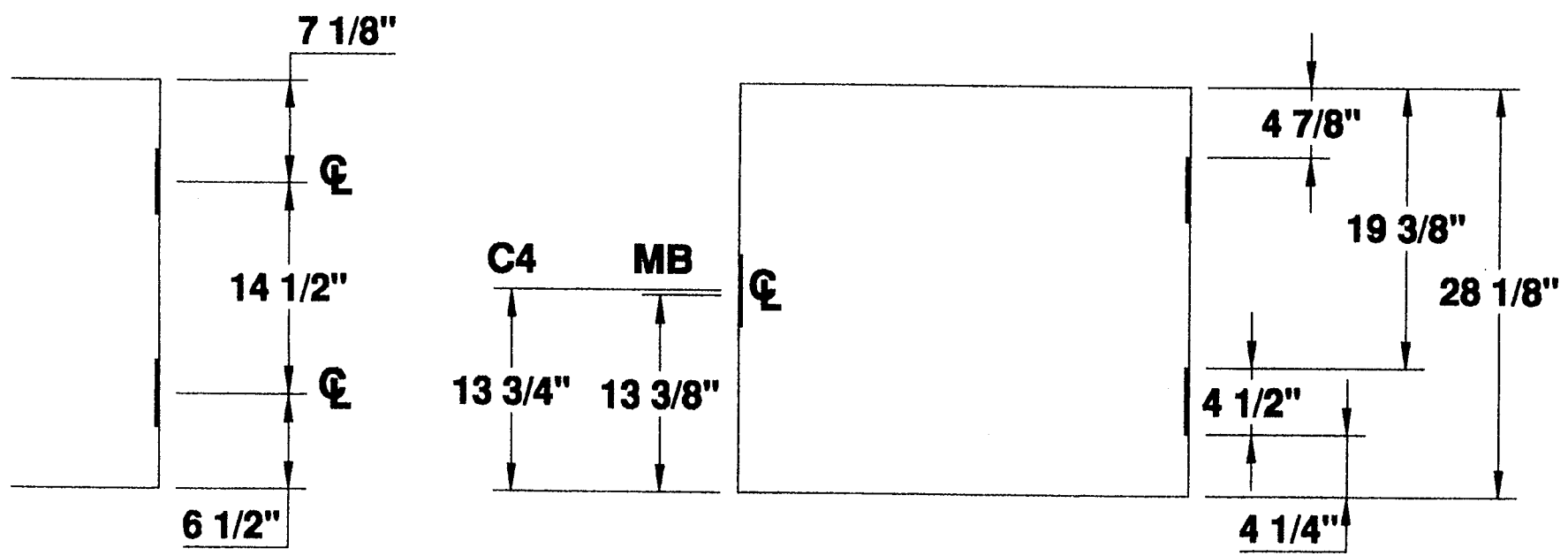


MESKER DOOR INC.
SINCE 1864 THE FIRST DOOR and STILL THE FIRST DOOR

**4 1/2" HINGE
—DETAILS—
TWO HINGE DOOR**

PROJECT STANDARD LOCATIONS
ORDER N/A DATE _____
PREPARED BY SJS SHEET 1 OF 1
Standard Detail # D2H-412-2FT-4IN

**4 1/2" HINGES
2 HG 2'-5" DOOR**



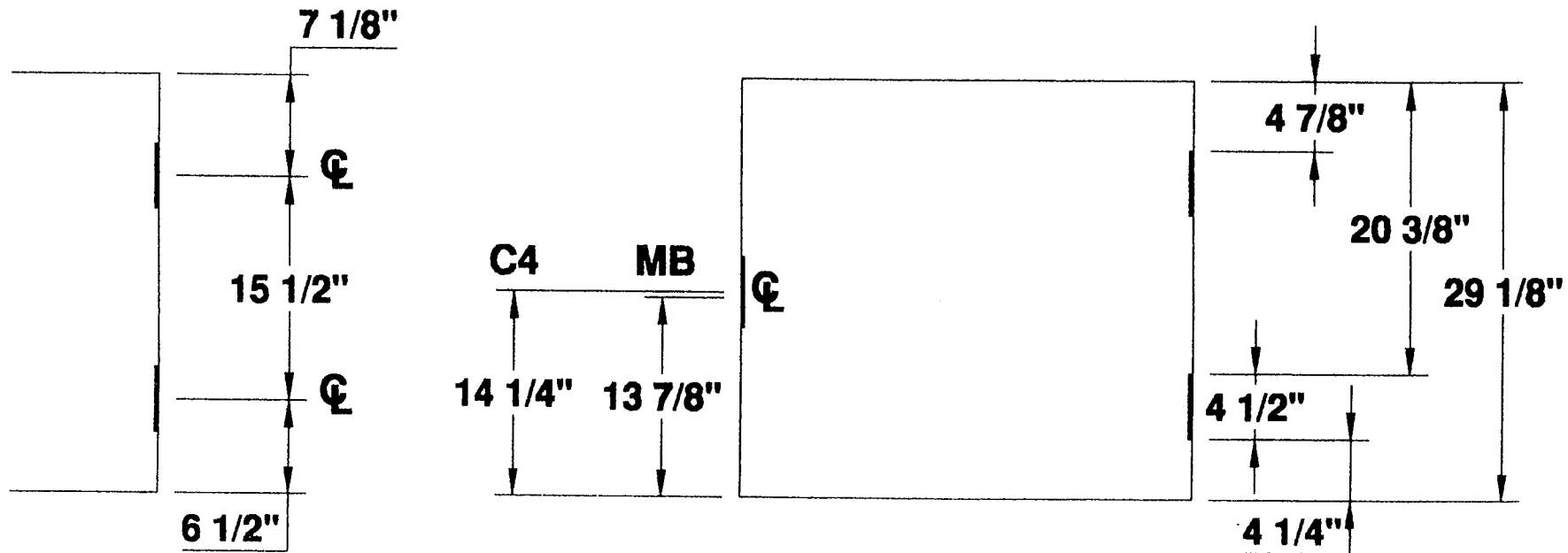
2 HINGE 2'-5" STANDARD DOOR LOCATIONS

**4 1/2" HINGE
—DETAILS—
TWO HINGE DOOR**



PROJECT STANDARD LOCATIONS
 ORDER N/A DATE _____
 PREPARED BY SJS SHEET 1 OF 1
 Standard Detail # D2H-412-2FT-5IN

**4 1/2" HINGES
2 HG 2'-6" DOOR**



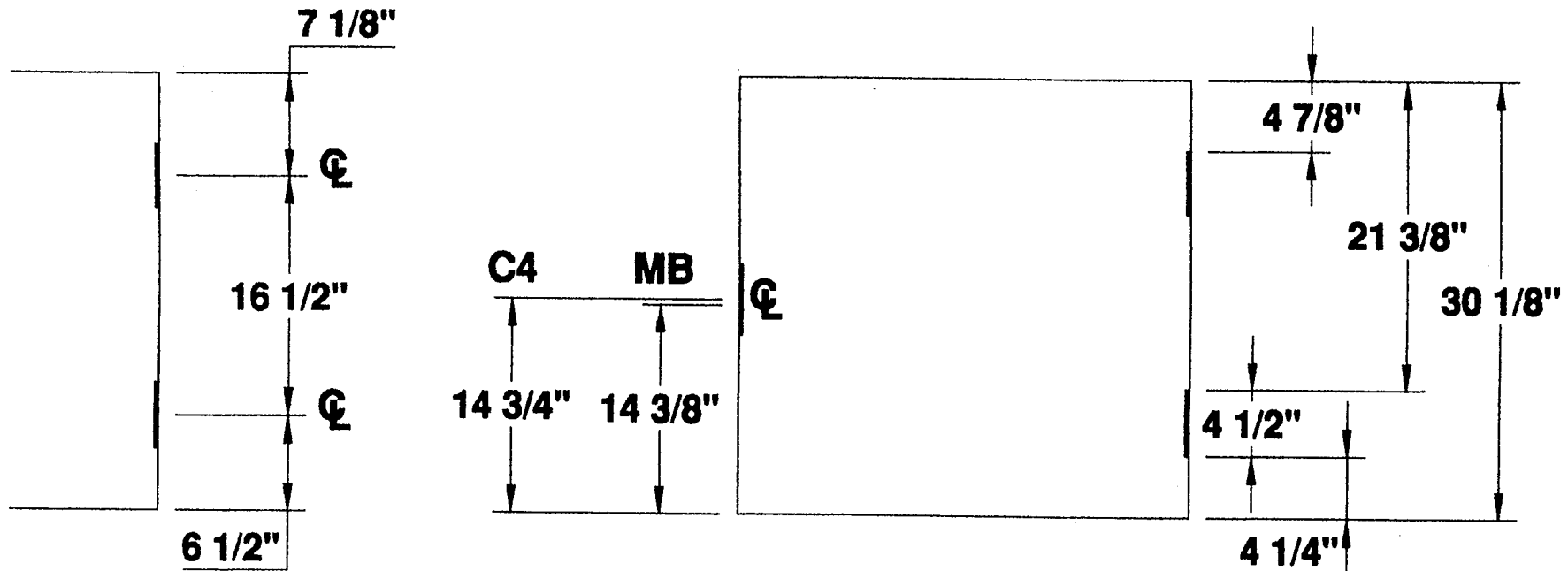
2 HINGE 2'-6" STANDARD DOOR LOCATIONS



**4 1/2" HINGE
—DETAILS—
TWO HINGE DOOR**

PROJECT STANDARD LOCATIONS
ORDER N/A DATE _____
PREPARED BY SJS SHEET 1 OF 1
Standard Detail # D2H-412-2FT-6IN

**4 1/2" HINGES
2 HG 2'-7" DOOR**



2 HINGE 2'-7" STANDARD DOOR LOCATIONS

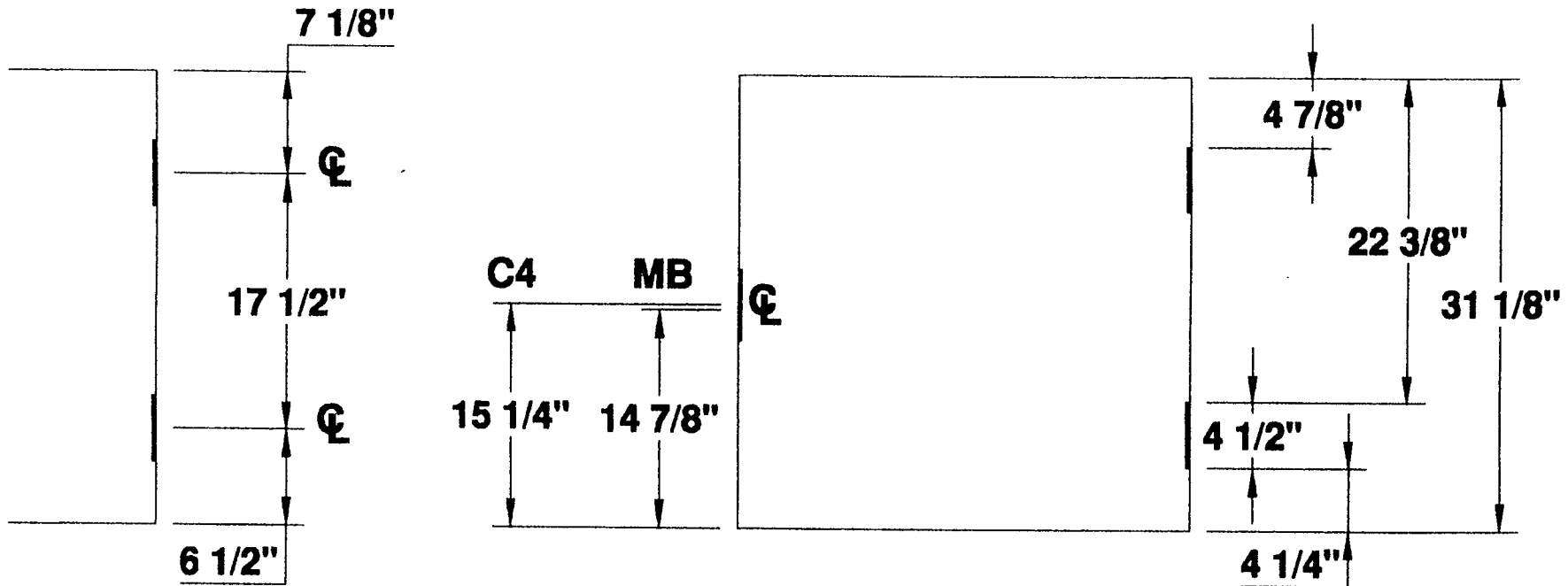


MESKER DOOR INC.
SINCE 1964 THE FIRST DOOR and STILL THE FIRST DOOR

**4 1/2" HINGE
—DETAILS—
TWO HINGE DOOR**

PROJECT STANDARD LOCATIONS
ORDER N/A DATE _____
PREPARED BY SJS SHEET 1 OF 1
Standard Detail # D2H-412-2FT-7IN

**4 1/2" HINGES
2 HG 2'-8" DOOR**



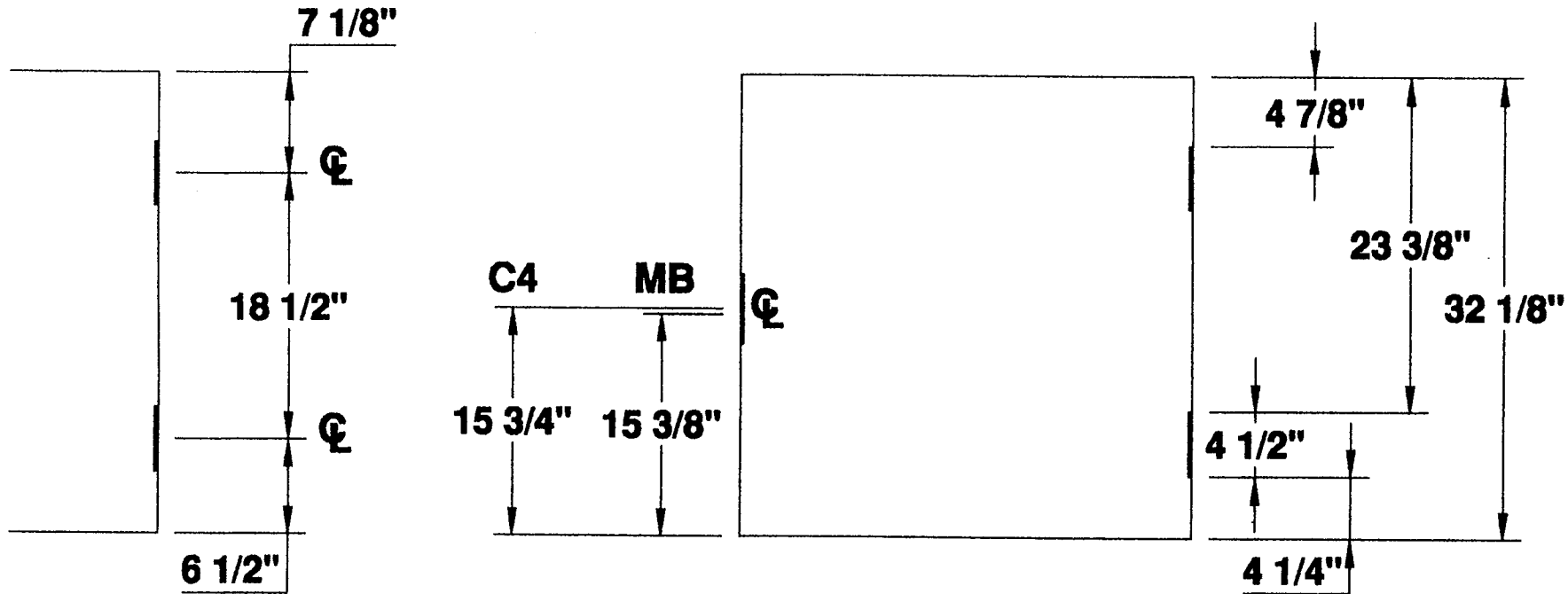
2 HINGE 2'-8" STANDARD DOOR LOCATIONS



**4 1/2" HINGE
—DETAILS—
TWO HINGE DOOR**

PROJECT STANDARD LOCATIONS
 ORDER N/A DATE _____
 PREPARED BY SJS SHEET 1 OF 1
 Standard Detail # D2H-412-2FT-8IN

**4 1/2" HINGES
2 HG 2'-9" DOOR**



2 HINGE 2'-9" STANDARD DOOR LOCATIONS



MESKER DOOR INC.

SINCE 1964 THE FIRST DOOR and STILL THE FIRST DOOR

**4 1/2" HINGE
—DETAILS—**

TWO HINGE DOOR

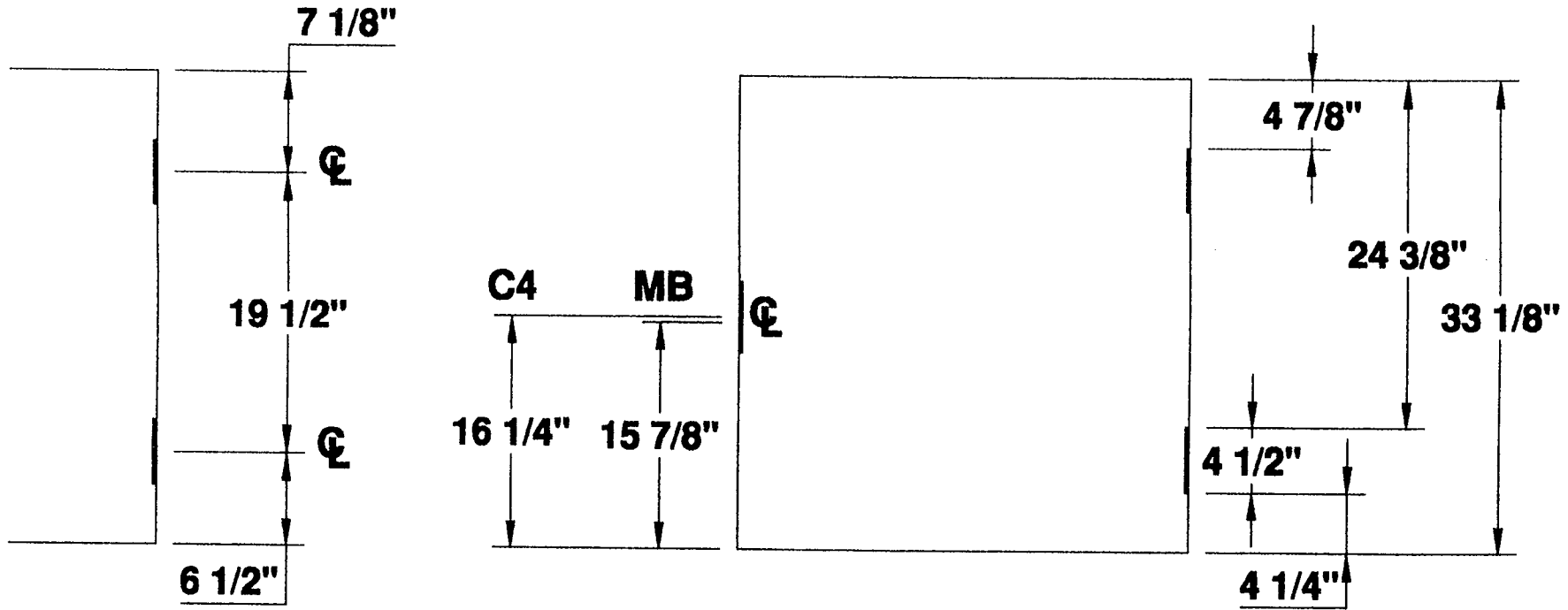
PROJECT STANDARD LOCATIONS

ORDER N/A DATE _____

PREPARED BY SJS SHEET 1 OF 1

Standard Detail # D2H-412-2FT-9IN

**4 1/2" HINGES
2 HG 2'-10" DOOR**



2 HINGE 2'-10" STANDARD DOOR LOCATIONS

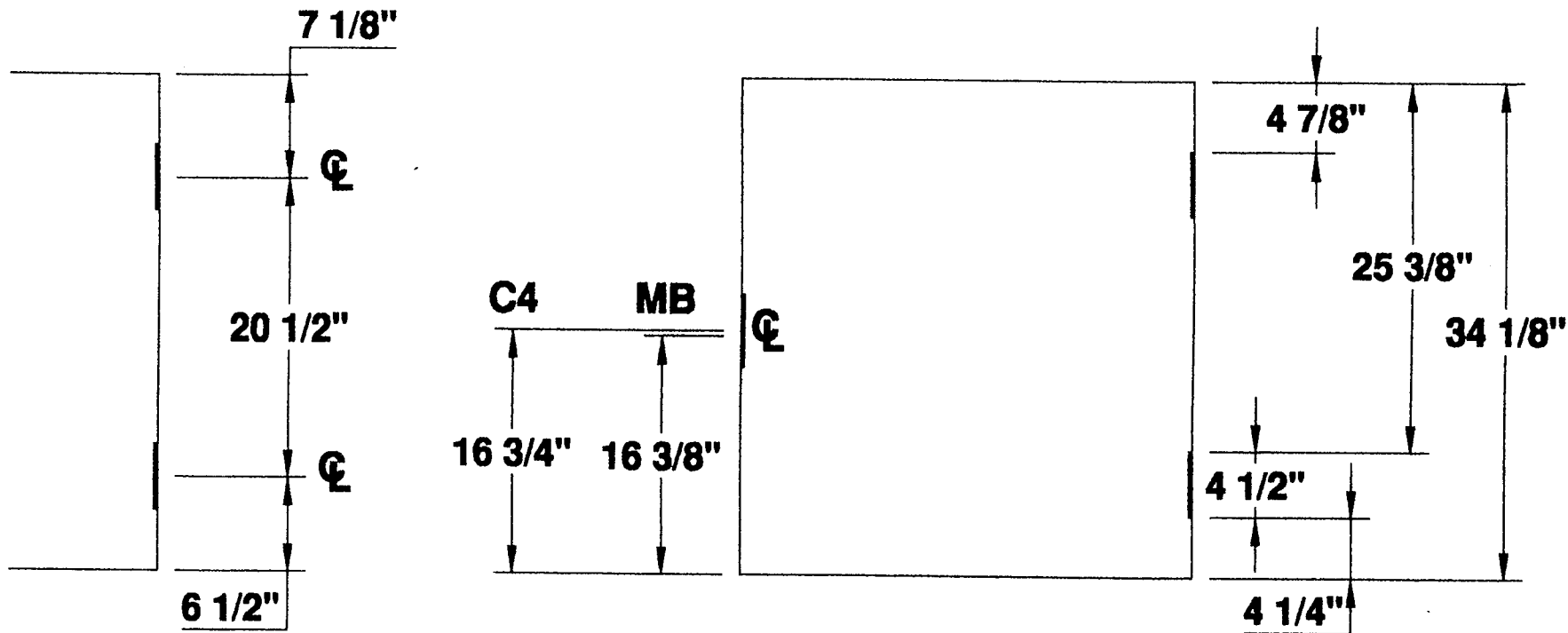


MESKER DOOR INC.
SINCE 1864 THE FIRST DOOR and STILL THE FIRST DOOR

**4 1/2" HINGE
—DETAILS—
TWO HINGE DOOR**

PROJECT STANDARD LOCATIONS
ORDER N/A DATE _____
PREPARED BY SJS SHEET 1 OF 1
Standard Detail # D2H-412-2FT-10IN

**4 1/2" HINGES
2 HG 2'-11" DOOR**



2 HINGE 2'-11" STANDARD DOOR LOCATIONS



MESKER DOOR INC.
SINCE 1884 THE FIRST DOOR and STILL THE FIRST DOOR

**4 1/2" HINGE
—DETAILS—
TWO HINGE DOOR**

PROJECT STANDARD LOCATIONS
ORDER N/A DATE _____
PREPARED BY SJS SHEET 1 OF 1
Standard Detail # D2H-412-2FT-11IN