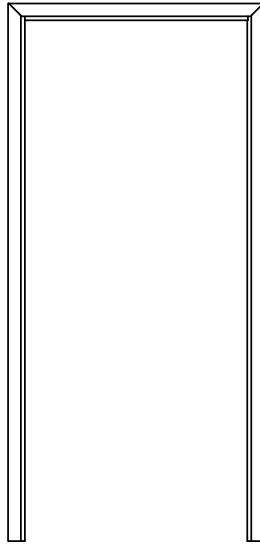


Table of Contents

F Series Frames

| | |
|--|------|
| How to Order Frames | F-1 |
| F Series Spec Sheet | F-2 |
| F Series Profiles 1 of 6 | F-3 |
| F Series Profiles 2 of 6 | F-4 |
| F Series Profiles 3 of 6 | F-5 |
| F Series Profiles 4 of 6 | F-6 |
| F Series Profiles 5 of 6 | F-7 |
| F Series Profiles 6 of 6 | F-8 |
| Hospital Stop | F-9 |
| Corner Assembly | F-10 |
| Corner Detail Double Rabbet | F-11 |
| Corner Detail Double Rabbet with 4" Face | F-12 |
| Corner Detail Single Rabbet | F-13 |
| Face Weld | F-14 |
| Full Weld | F-15 |
| Frame Installation Block Wall | F-16 |
| Frame Installation Steel Stud | F-17 |
| Frame Installation Wood Stud | F-18 |
| Wire Anchor | F-19 |
| Strap Anchor | F-20 |
| T Anchor | F-21 |
| Double Egress T Anchor | F-22 |
| Tube Anchor | F-23 |
| AEW Anchor | F-24 |
| UNA Anchor | F-25 |
| UNA 5 3/4" Anchor | F-26 |
| Floor Anchor | F-27 |
| Adjustable Floor Anchor | F-28 |
| Floor Anchor Single Rabbet | F-29 |
| Double Egress Multipurpose | F-30 |
| Z Anchor | F-31 |
| Mullion Floor Anchor | F-32 |
| Adjustable Stud | F-33 |

**FRAMES
HOW TO ORDER**



- 1
- 2
- 3
- 4
- 5
- 6
- 7
- 8
- 9

1 **FRAME SERIES**
 F - MASONRY
 FDJ - DRYWALL
 FF - FLUSH FACE
 RF - REMODELING

2 **METAL TYPE**
 LEAVE BLANK - COLD ROLLED
 Z - GALVENNEALED
 G90 - GALVANIZED (G90)

3 **PREP SIDE AND GAUGE**
 4 - PREP ON 400 SIDE
 8 - PREP ON 800 SIDE
 THEN DESIGNATE GAUGE

4 **JAMB DEPTH**

5 **FRAME TYPE**
 FH - FRAME HEADER
 SJU - STRIKE JAMB U - STRIKE PREP
 SJC - STRIKE JAMB C - STRIKE PREP
 HJ - HINGE JAMB
 BJ - BLANK JAMB
 WJ - WINDOW JAMB

6 **LENGTH**
 20 - 2'0" 68 - 6'8"
 26 - 2'6" 70 - 7'0"
 30 - 3'0" 80 - 8'0"

7 **HAND**
 R - RIGHT
 L - LEFT

8 **FACE**
 W4F - 4"
 W6F - 6"
 W1 1/2F - 1 1/2"
 LEAVE BLANK - 2"

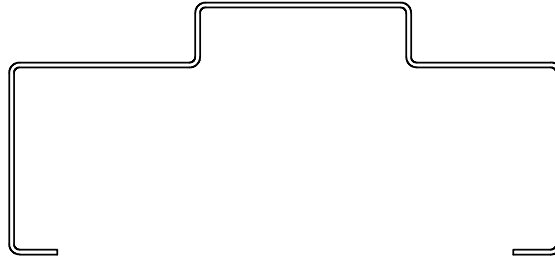
9 **PROFILE**
 DE - DOUBLE EGRESS
 ER - EQUAL RABBET
 SR - SINGLE RABBET
 COS - CASED OPEN
 LEAVE BLANK - UNEQUAL RABBET

USE THE APPROPRIATE SYMBOL AS DESIGNATED ABOVE FOR POSITIONS 1 THRU 9.

EXAMPLE

| | | | | | | | | |
|---|---|-----|-------|----|----|---|-----|----|
| F | Z | 416 | 5 3/4 | HJ | 70 | R | W4F | DE |
| 1 | 2 | 3 | 4 | 5 | 6 | 7 | 8 | 9 |



F SERIES**Frame Construction**

12, 14, or 16 gauge, cold-rolled, galvanized, or galvanized G90 steel to be break-formed to the design specifications required. (See pages F-3 TO F-9 for sizes and profiles available). Frames shall be furnished knocked-down or welded, ground smooth upon request. Mitered corners shall have a strong, secure, four tab interlocking system to maintain neat mitered joints and corners. Standard frame to have 1/2" returns; standard stop heights to be 5/8" high. Soffit dimensions can vary. Frames can be single or double rabbeted. Frames will be supplied with welded on sill anchors. (Note: Bending tabs in on the jamb rabbets will increase door opening dimension).

Installation & Applications

Frames to be installed in accordance with ANSI A250.11-2001. Standard series frames to be used in a number of applications including masonry, wood stud and steel stud construction.

Hardware Reinforcements

Frames to be furnished with 4-1/2" or 5" standard or heavy weight 7 gauge steel hinge reinforcements and shall be adequately reinforced for all hardware. Standard arm or parallel closer reinforcements available upon request.

Strike and hinge reinforcements shall be protected by mortar guards. Single frames shall be prepared to receive (3) rubber mutes.

Finish

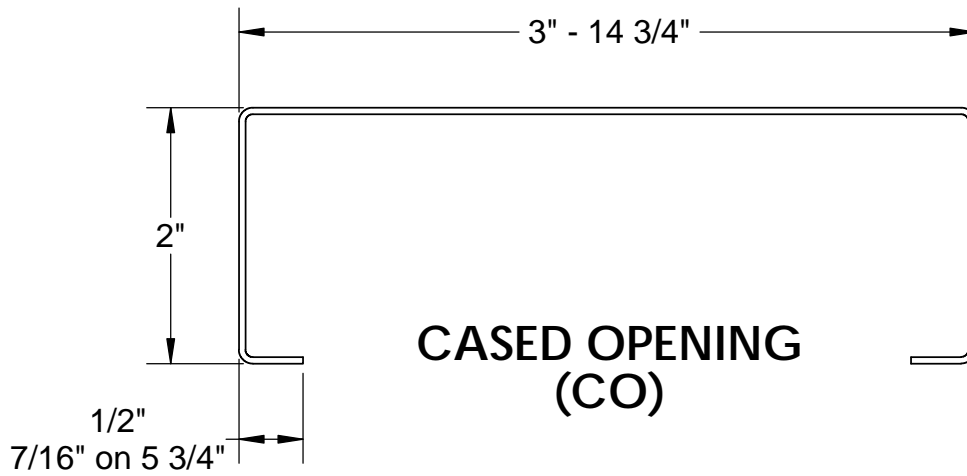
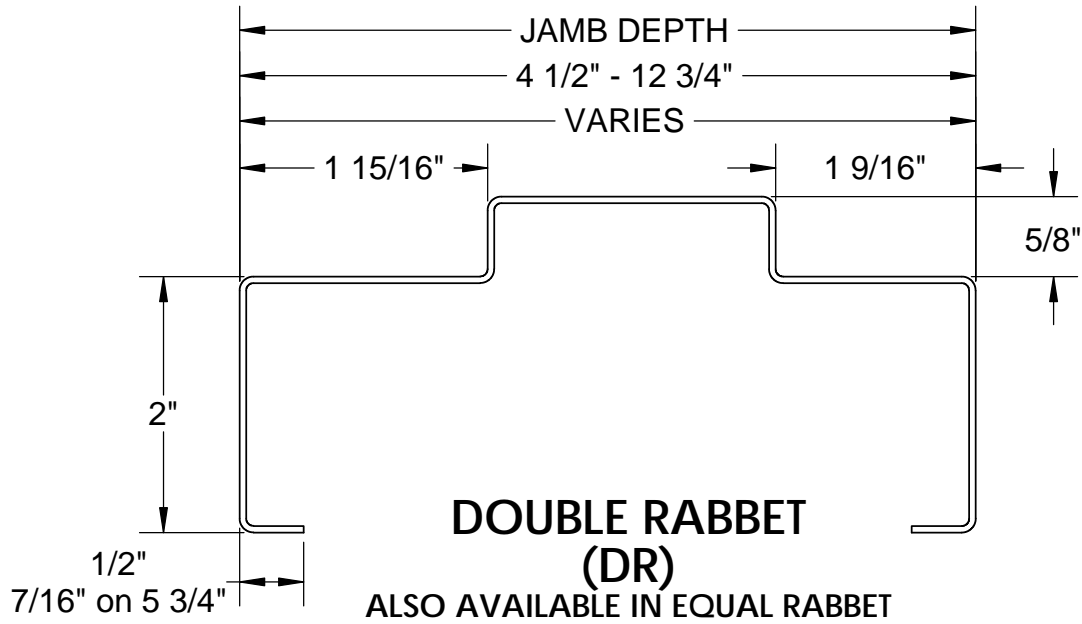
Exposed frame surfaces to be cleaned and treated then coated with rust inhibitive primer. Color painted frames to receive a durable, flow coated, baked on finish. Water-based primer and color paint finishes to be free of Hazardous Air Pollutants (HAPS) and Volatile Organic Compounds (VOCs).

Compliance

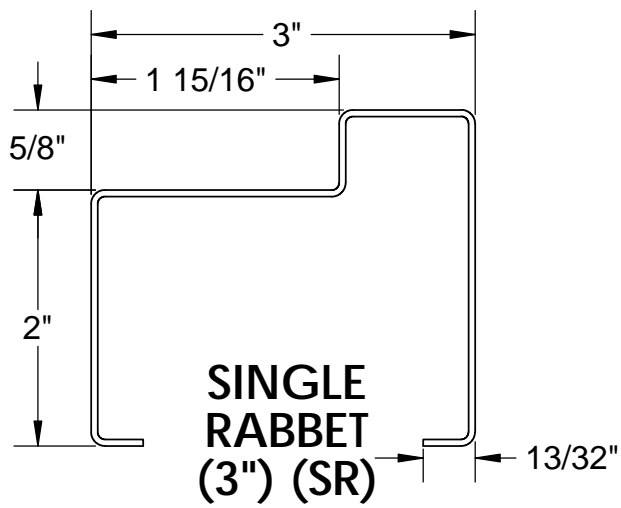
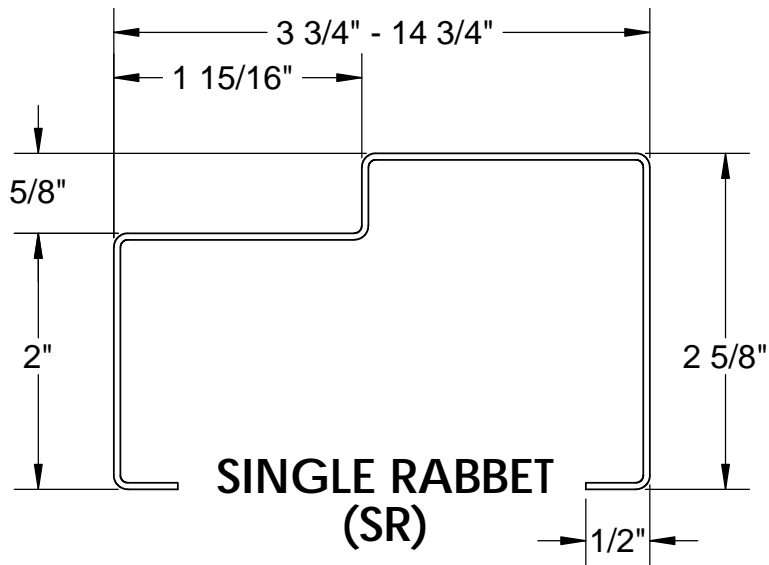
All Mesker frame components comply with ANSI A250.8(R2008). Fire labeling in accordance NFPA and available in FM (standard), WHI (Intertek) and Underwriters Laboratories. For a complete list of product compliance per ANSI/ASTM test methods, consult the labeling section.



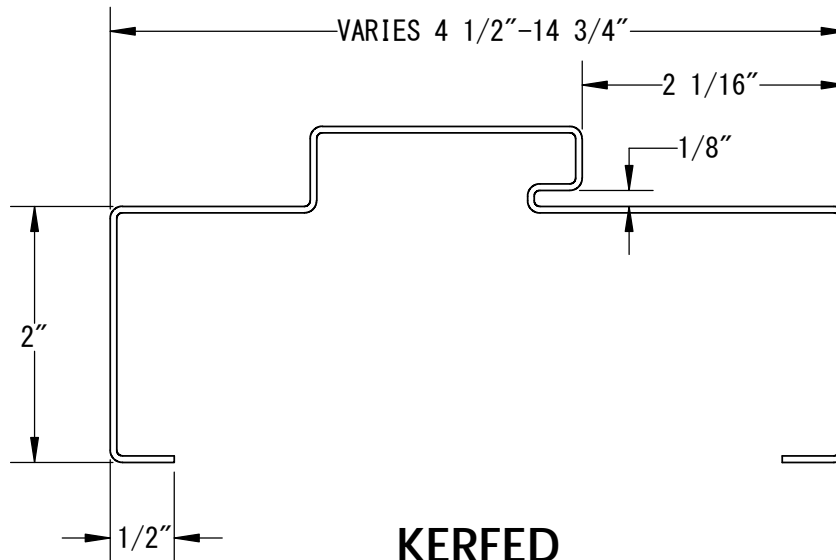
F SERIES
PROFILES - DOUBLE RABBET AND CASED OPENING



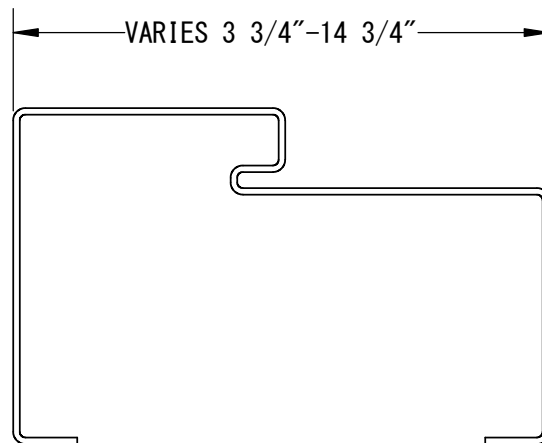
F SERIES FRAME
 PROFILES - SINGLE RABBET



**F SERIES FRAME
PROFILE - KERFED FOR WEATHERSTRIPPING**



**KERFED
(K)**



AVAILABLE IN 14 OR 16 GAUGE

**PHYSICAL ENDURANCE LEVEL: MEETS ANSI A250.4
PERFORMANCE TEST--16 GAUGE STEEL: LEVEL A (1,000,000 CYCLES)
FIRE RATED UP TO 90 MINUTES.**



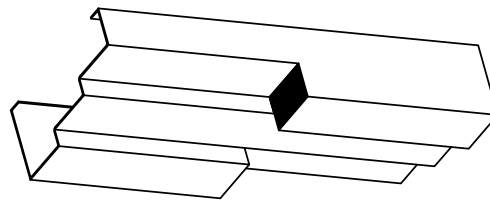
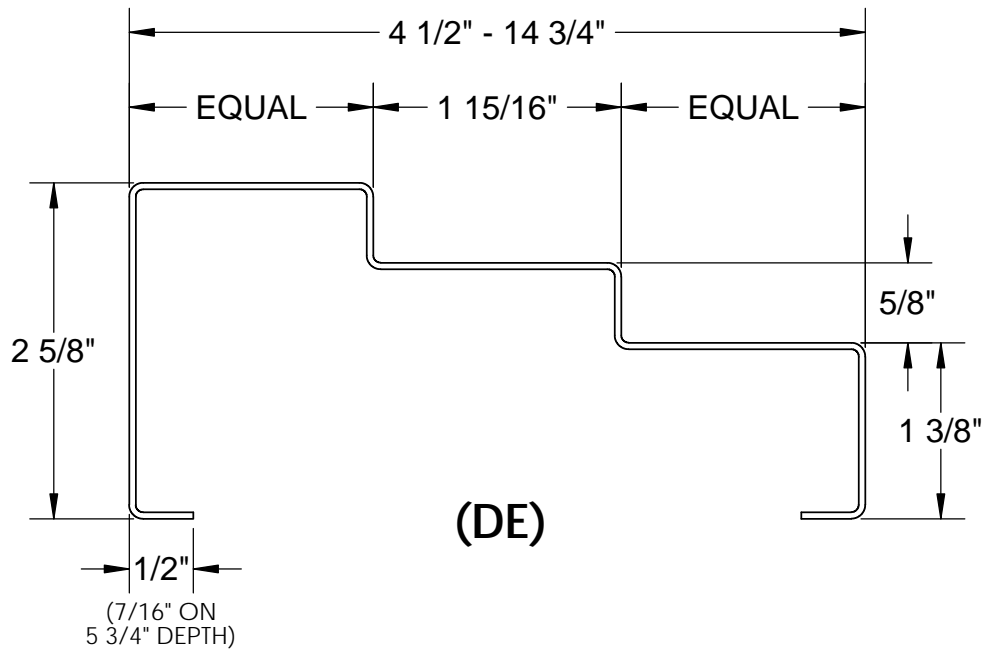
MESKER™
The newest innovations in hollow metal from the
oldest hollow metal door company in America

F SERIES
THERMAL BREAK

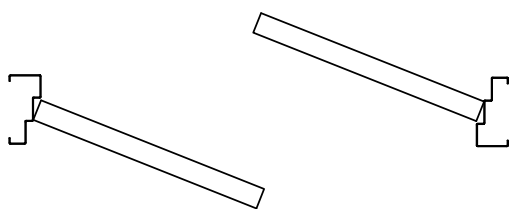
RESERVED



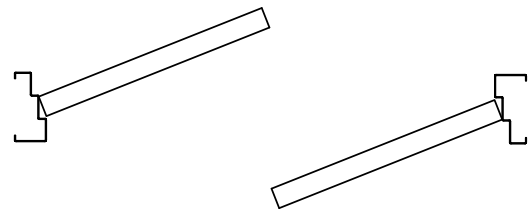
F SERIES
PROFILES - DOUBLE EGRESS



HEADER
JUNCTION



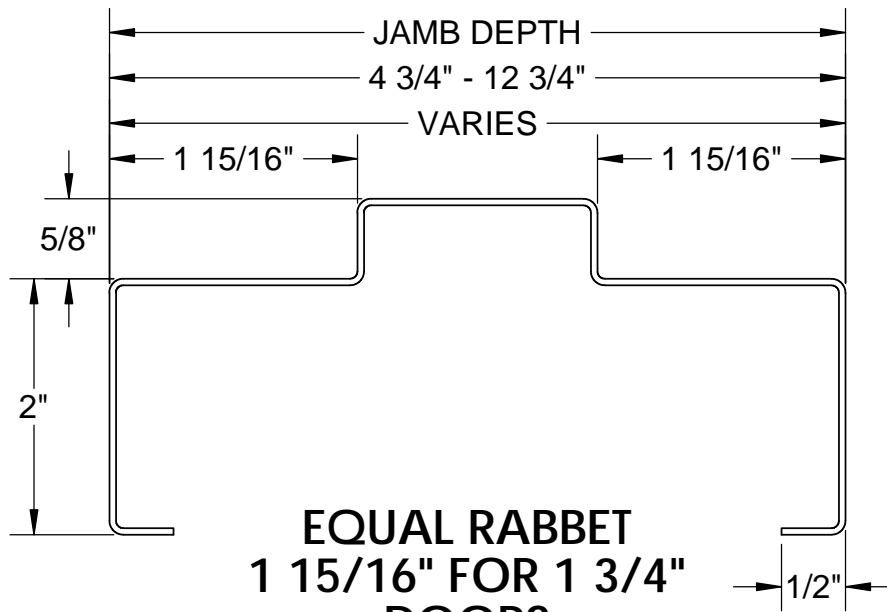
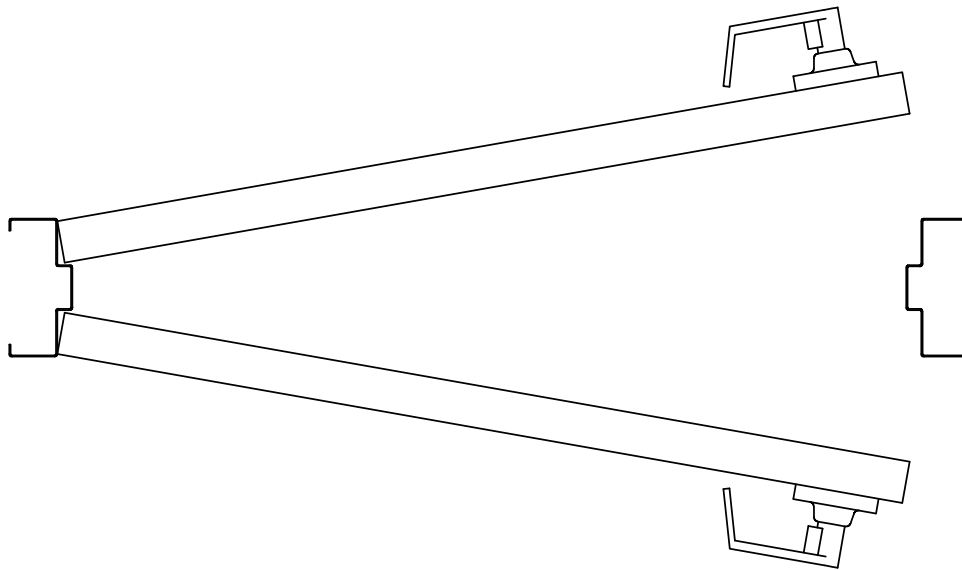
LHR (RH) SWING



RHR (LH) SWING



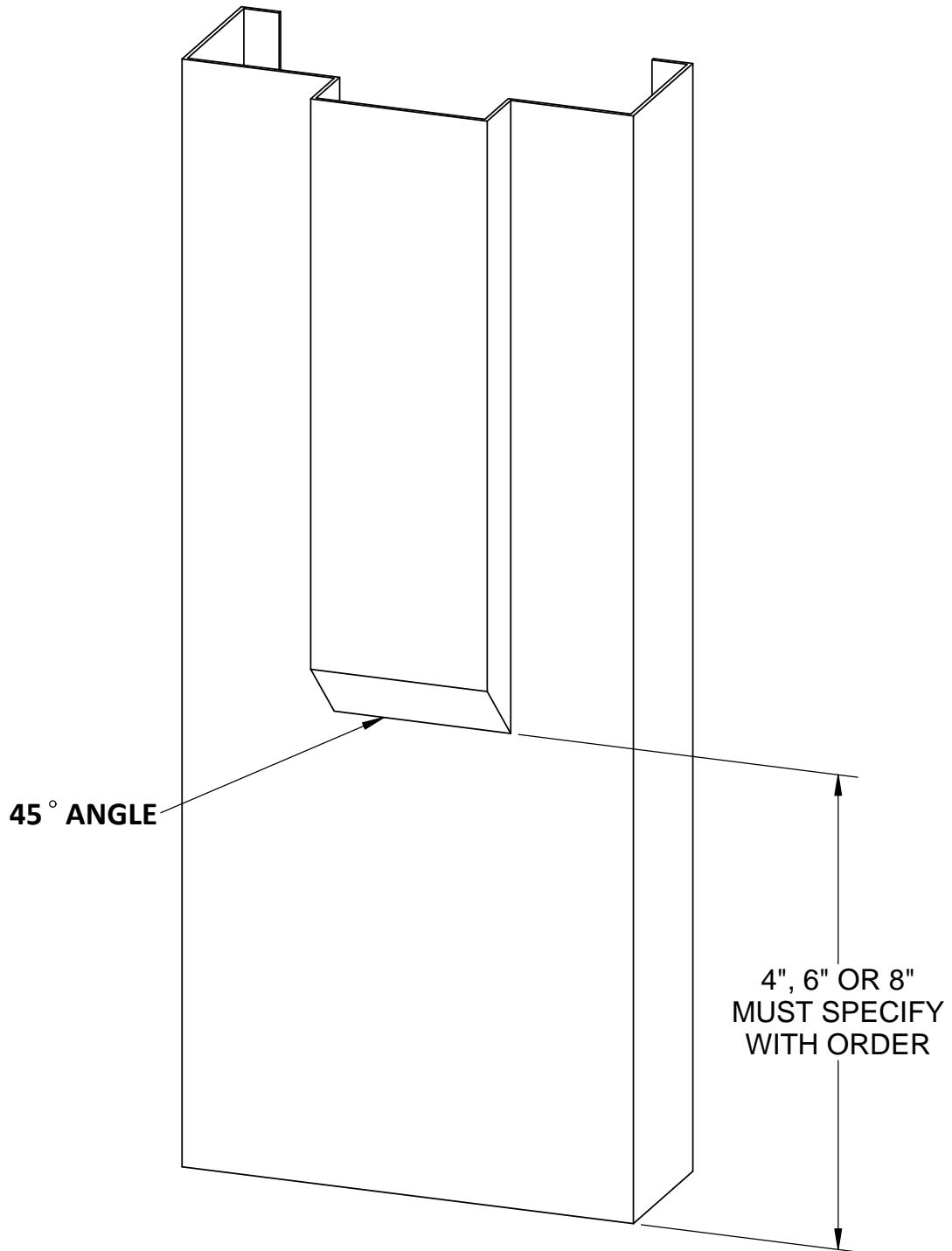
F SERIES
PROFILES - COMMUNICATING FRAME



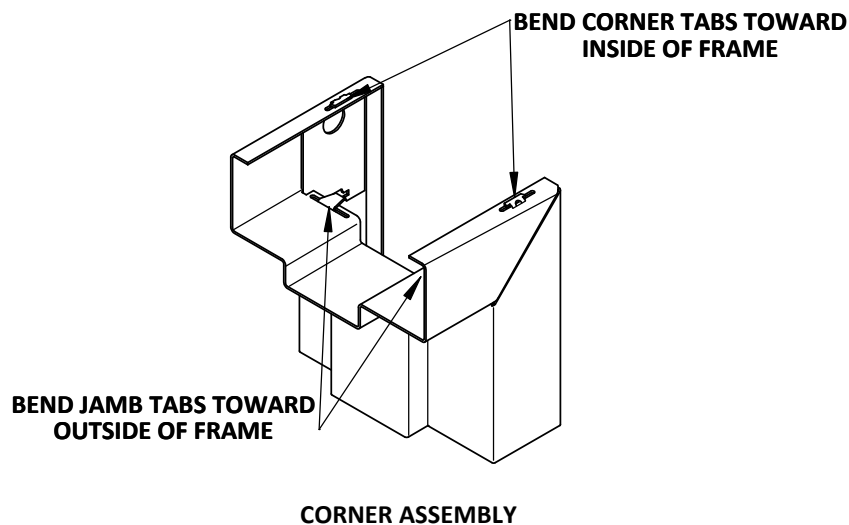
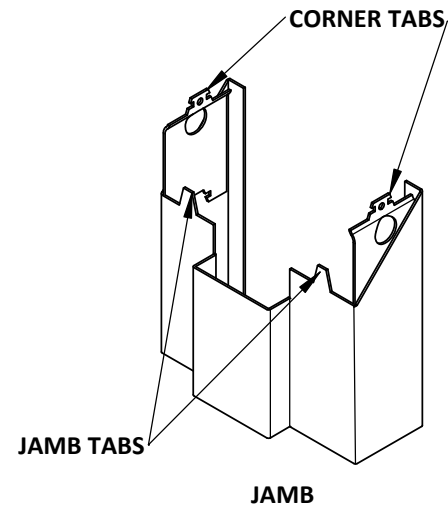
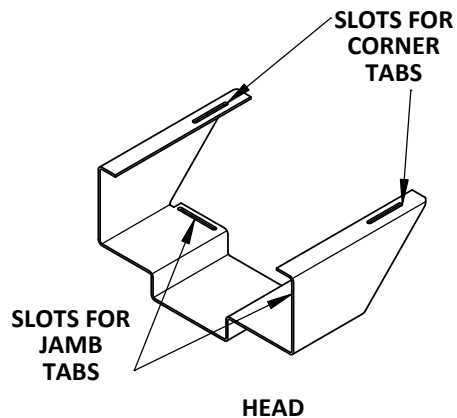
EQUAL RABBET
1 15/16" FOR 1 3/4"
DOORS
(COM)



F SERIES
DETAILS - HOSPITAL STOP



**F SERIES
CORNER ASSEMBLY - DOUBLE RABBET - KD**



ASSEMBLY OF K.D. CORNER

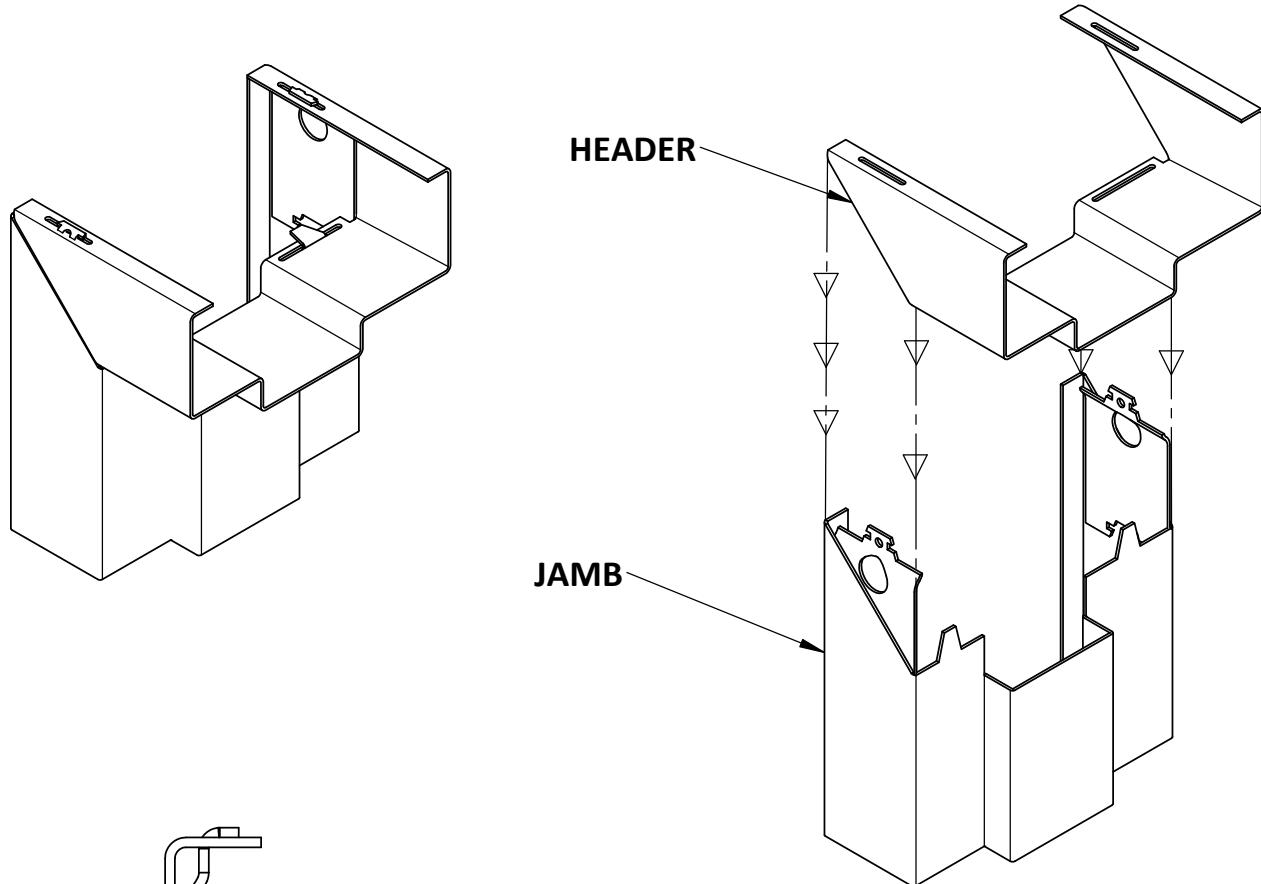
SLIDE JAMB TABS INTO HEADER AND PUSH HEADER AND JAMB MITERS TOGETHER. ALWAYS BEND INNER TABS OUT WITH HAMMER. BENDING TABS IN WILL INCREASE THE DOOR OPENING DIMENSION.

3 ANCHORS ON EACH JAMB UP TO 7'0" AND 1 ADDITIONAL ANCHOR FOR EVERY 26" OR FRACTION THEREOF ABOVE 7'0".



MESKER™
The newest innovations in hollow metal from the
oldest hollow metal door company in America

F SERIES FRAME
CORNER DETAIL - DOUBLE RABBET

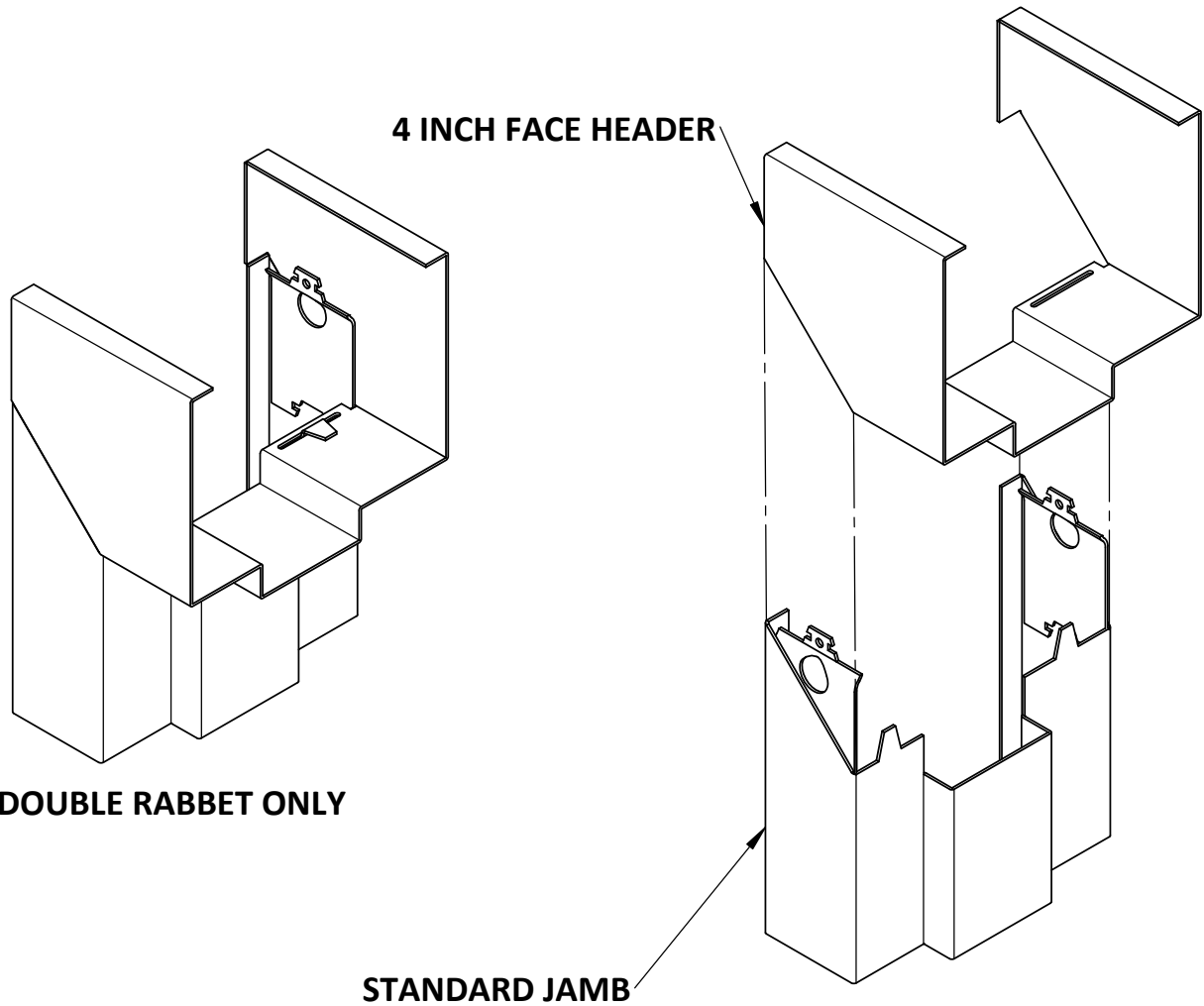


TAB IS OFFSET TO OBTAIN
SMOOTH BEND ALONG
TOP OF FRAME HEAD.

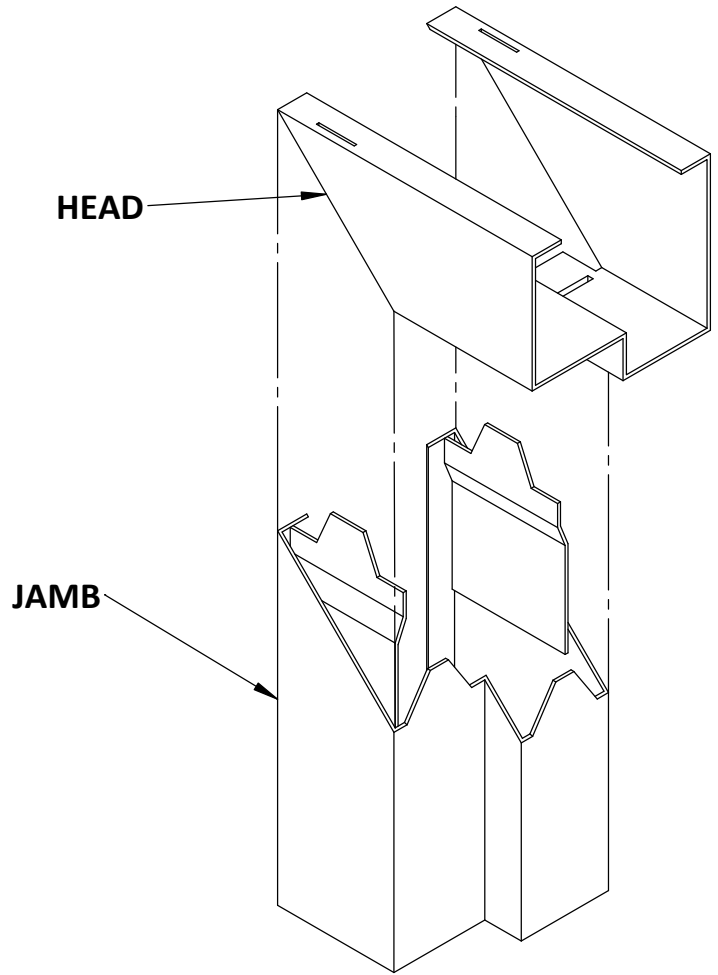
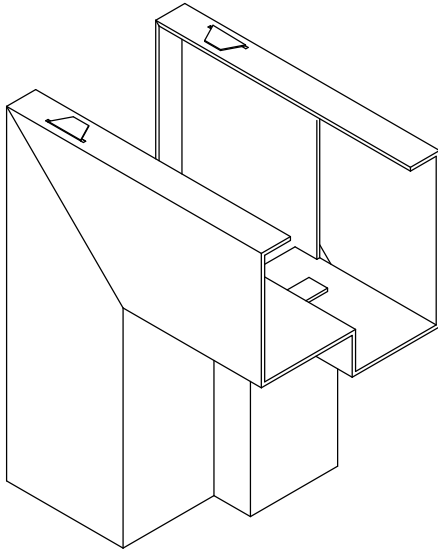
SECTION THRU TAB



F SERIES
CORNER DETAIL - 4 INCH FACE HEADER - DOUBLE RABBET



**F SERIES FRAME
CORNER DETAIL - SINGLE RABBET - KD**



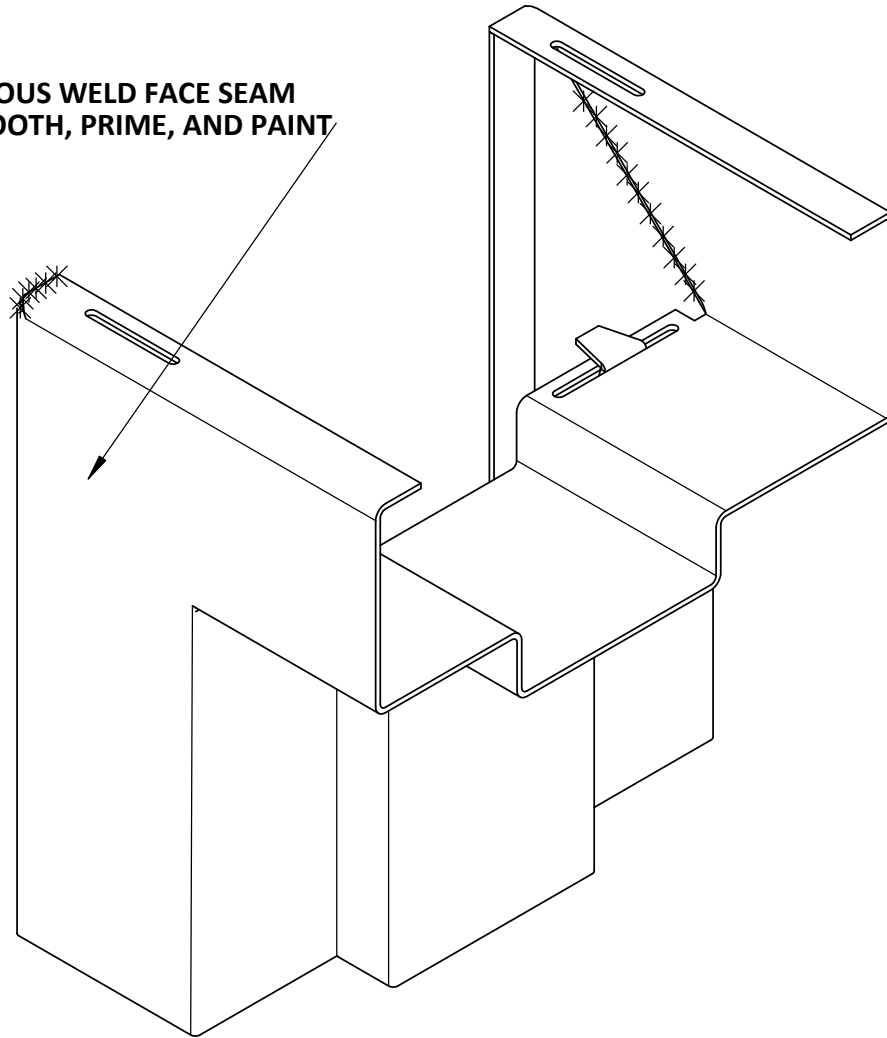
**TAB IS OFFSET TO OBTAIN
SMOOTH BEND ALONG
TOP OF FRAME HEAD.**

SECTION THRU TAB

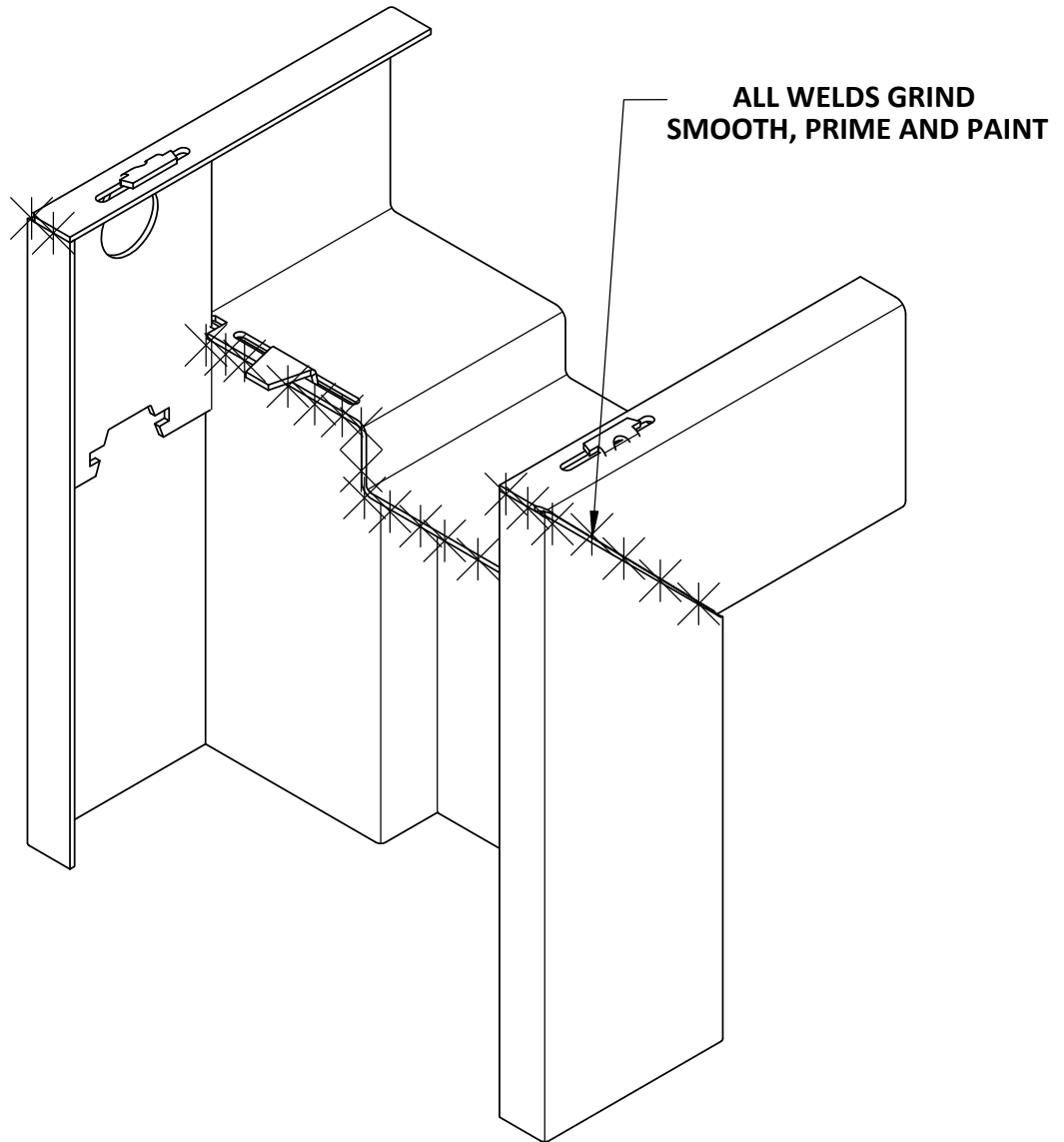


F SERIES
CORNER DETAILS - DOUBLE RABBET - FACE WELD

CONTINUOUS WELD FACE SEAM
GRIND, SMOOTH, PRIME, AND PAINT

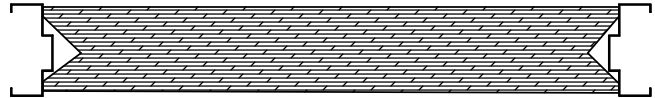


F SERIES
CORNER DETAILS - DOUBLE RABBET - FULL WELD

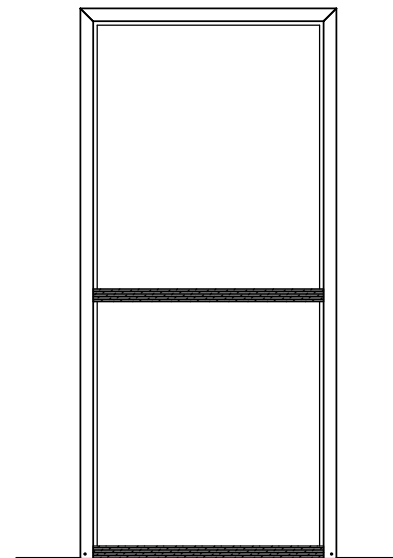


F SERIES FRAME INSTALLATION - BLOCK WALL (NEW CONSTRUCTION)

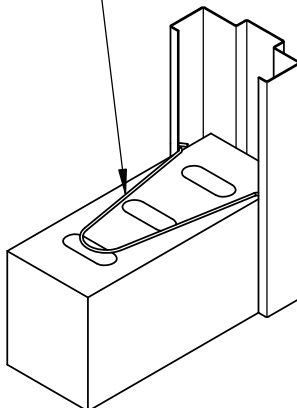
TYPICAL WOOD SPREADER MUST BE SQUARE AND FABRICATED FROM LUMBER NO LESS THAN 1" THICK. CORRECT LENGTH IS THE DOOR OPENING WIDTH BETWEEN JAMBS AND HEADER. CUT CLEARANCE NOTCHES FOR THE FRAME STOPS. AT FRAME STOPS SPREADER MUST BE NEARLY AS WIDE AS FRAME DEPTH FOR PROPER INSTALLATION.
I.E. SINGLE DOOR 3'0" = 36"
DOUBLE DOOR 6'0" = 72"



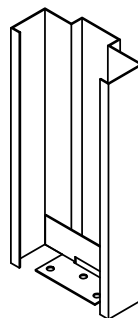
- (1) ASSEMBLE AND WELD FRAME.
- (2) SET AND PLUMB FRAME.
- (3) FASTEN FLOOR ANCHORS WITH APPROPRIATE FASTENERS.
- (4) AN ANCHOR SHALL BE USED FOR EACH 26" OF JAMB HEIGHT OR FRACTION THEREOF. EACH ANCHOR SHALL BE INSTALLED AS WALL IS LAID UP. GROUT FRAME IN THE AREA OF ANCHOR.
- (5) A SECOND SPREADER IS RECOMMENDED AT THE MID-POINT OF THE DOOR OPENING TO MAINTAIN THE DOOR OPENING DIMENSION.
- (6) CONTINUALLY CHECK PLUMB AND SQUARE AS THE WALL PROGRESSES.



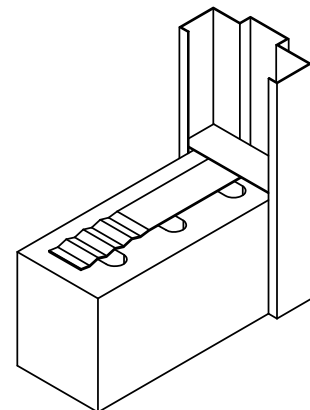
OVER SPREAD ANCHOR BEFORE
INSTALLATION TO ENSURE
PROPER FIT.



WIRE MASONRY ANCHOR



MASONRY FLOOR ANCHOR



MASONRY T ANCHOR



MESKER™
The newest innovations in hollow metal from the
oldest hollow metal door company in America

F SERIES FRAME INSTALLATION - STEEL STUD WALL (NEW CONSTRUCTION)

STEEL STUD WALL CONSTRUCTION

ROUGH STUD OPENING

WIDTH: NOMINAL FRAME WIDTH
+4 3/8" MIN, TO 4 3/4" MAX.
(I.E. 3'0" = 40 3/8" MIN TO 40 3/4" MAX.)

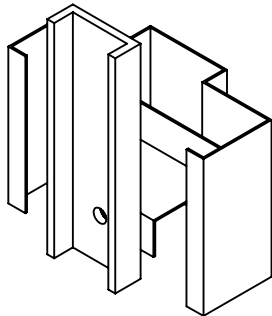
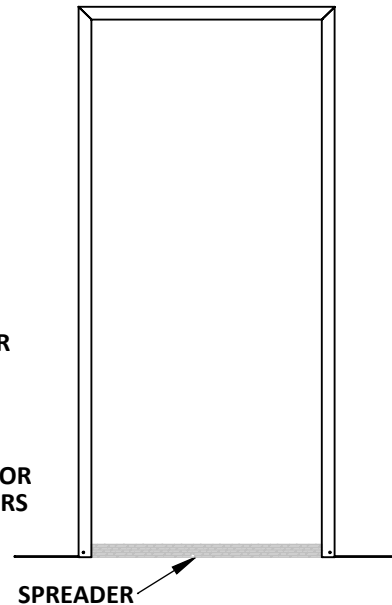
HEIGHT: NOMINAL FRAME HEIGHT
+2 1/8" MIN.
(I.E. 6'8" = 82 1/8" MIN.)

(1) INSTALL MINIMUM OF THREE ANCHORS PER JAMB (BOTH HINGE AND STRIKE). POSITION ANCHORS IN FRAME THROUGH THE THROAT AND TAP ON WITH A HAMMER OR USE WELDED IN Z ANCHOR. FOUR ANCHORS PER JAMB LEG OVER 7'0" HEIGHT.

(2) SQUARE, BRACE, AND PLUMB FRAME AS SHOWN.

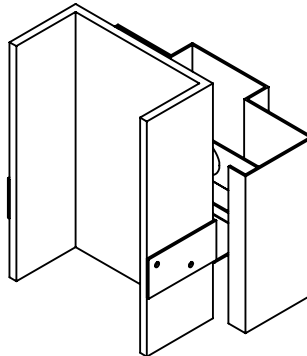
(3) SET SPREADER. ATTACH JAMBS TO FLOOR THROUGH FLOOR ANCHOR OR FLOOR EXTENSION. INSTALL JAMB STUDS TO FLOOR AND CEILING RUNNERS AND TIGHTLY AGAINST FRAME ANCHORS.

(4) ATTACH STUDS TO FRAME ANCHORS AS SHOWN.

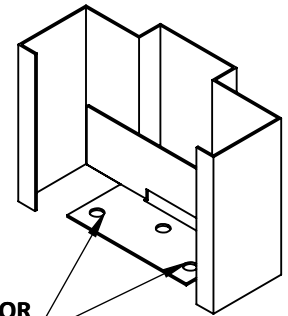


STEEL STUD ANCHOR
Z ANCHOR

CENTER STUDS IN FRAME THROAT
OR AS DESIRED AND ATTACH
TO ANCHORS WITH SCREWS.



STEEL STUD ANCHOR
UNA ANCHOR



SILL ANCHOR

WHEN ATTACHING HEADER STUDS TO JAMB STUDS, BE SURE THE STUD IS ABOVE FRAME HEADER. THIS WILL ASSURE AMPLE ROOM FOR ATTACHING PLASTER LATH OR DRYWALL AND WILL NOT INTERFERE WITH INSTALLATION OF HARDWARE ATTACHED TO FRAME HEADER.



MESKER™
The newest innovations in hollow metal from the
oldest hollow metal door company in America

F SERIES FRAME INSTALLATION - WOOD STUD WALL (NEW CONSTRUCTION)

WOOD STUD CONSTRUCTION

ROUGH STUD OPENING

WIDTH: NOMINAL FRAME WIDTH

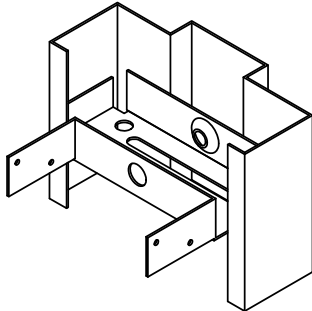
+4 3/8" MIN, TO 4 3/4" MAX.

(I.E. 3'0" = 40 3/8" MIN TO 40 3/4" MAX.)

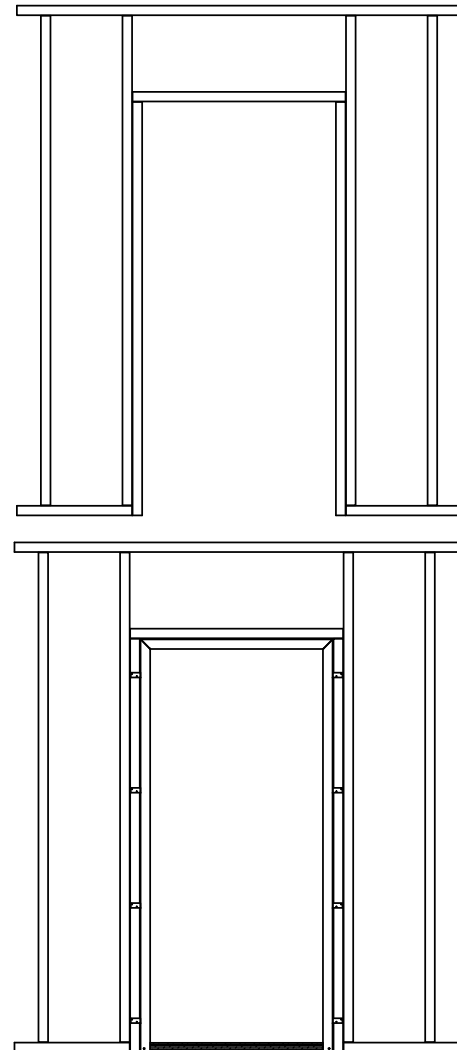
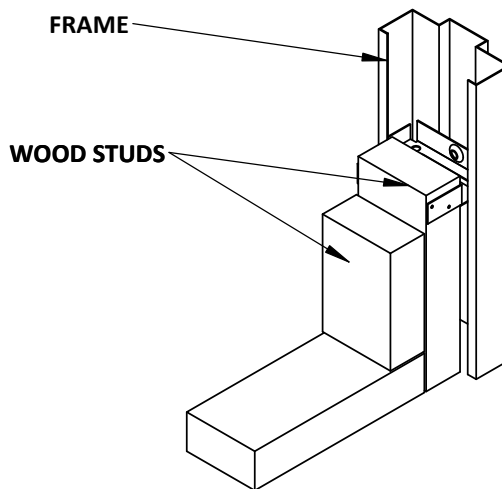
HEIGHT: NOMINAL FRAME HEIGHT

+2 1/8" MIN.

(I.E. 6'8" = 82 1/8" MIN.)



WOOD STUD ANCHOR



ELEVATION

(1) INSERT THREE ANCHORS PER JAMB UP TO AND INCLUDING 7' 2" HEIGHT (FOUR OVER 7' 2" HIGH). POSITION ANCHORS IN FRAME THROAT AND TAP IN WITH A HAMMER. BASE ANCHORS MAY ALSO BE USED.

(2) PLACE FRAME IN STUD OPENING.

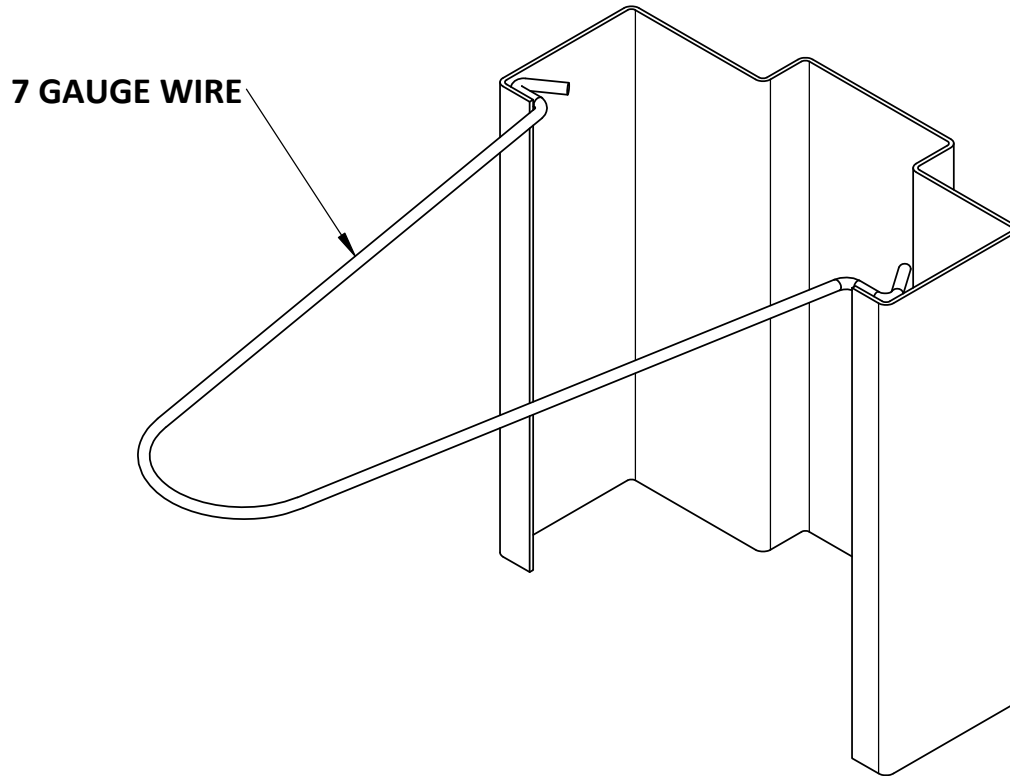
(3) BEND ANCHOR TABS AROUND STUD LEAVING DESIRED CLEARANCE BETWEEN FRAME RETURN AND STUD FOR INSERTING FINISHED WALL MATERIAL.

(4) SET SPREADER AND LEVEL FRAME. SHIM JAMBS IF NECESSARY.

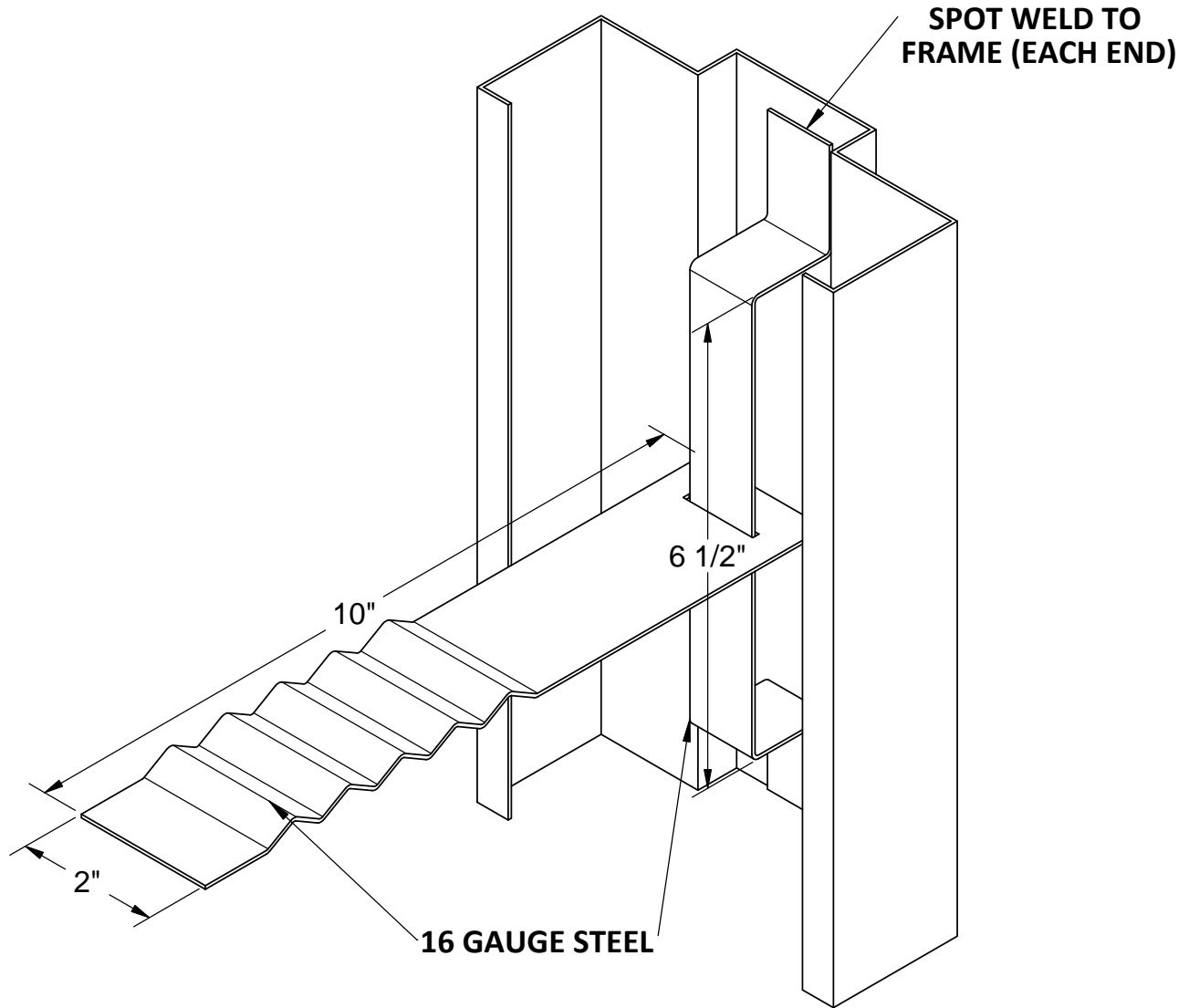
(5) SQUARE AND NAIL OR SCREW TOP ANCHORS TO STUDS ON ONE JAMB ONLY. CHECK PLUMB AND SQUARE AND CONTINUE TO NAIL OR SCREW BALANCE OF ANCHORS TO STUDS. REPEAT FOR OPPOSITE JAMB.



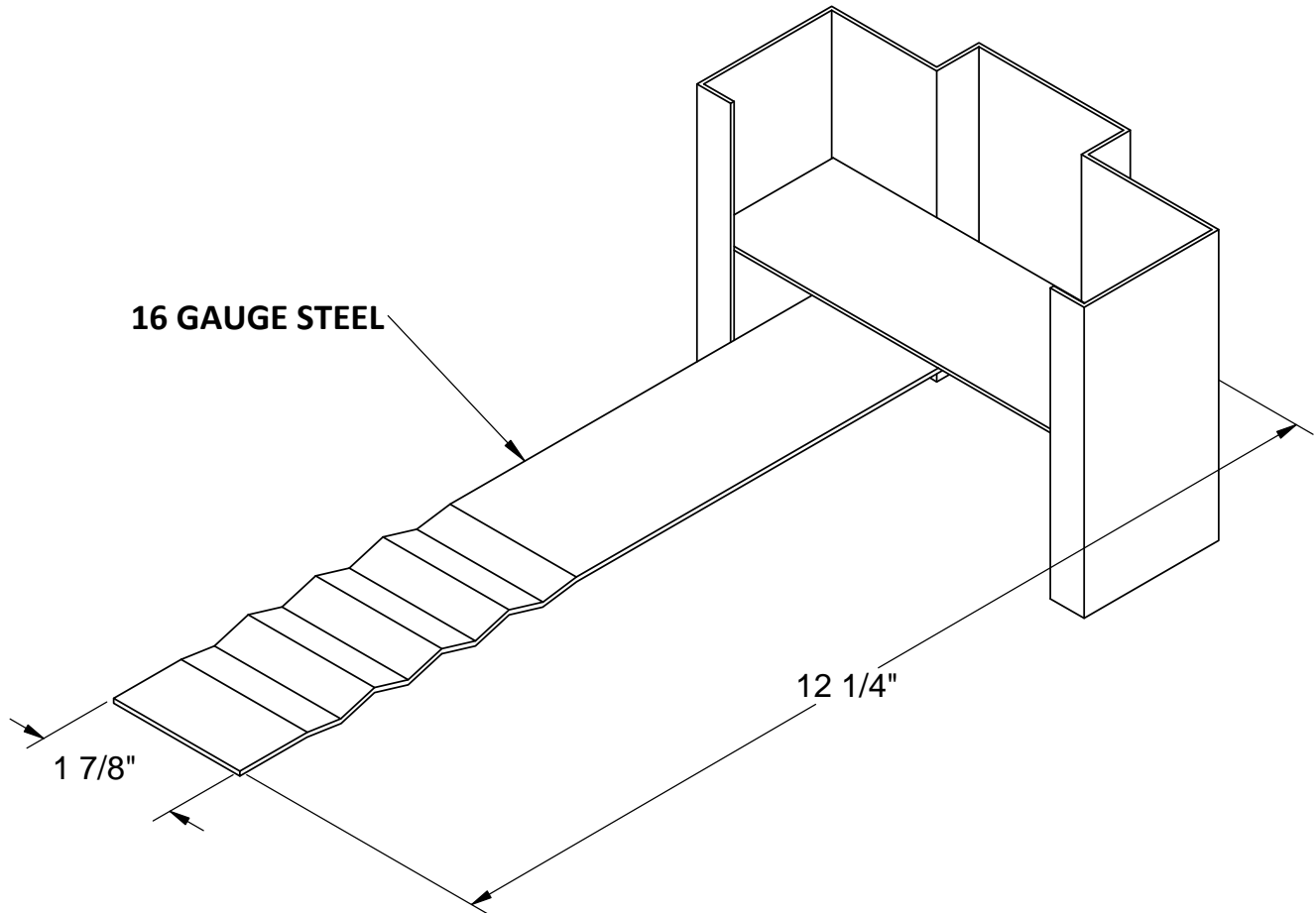
F SERIES
FRAME ANCHOR - WIRE MASONRY ANCHOR



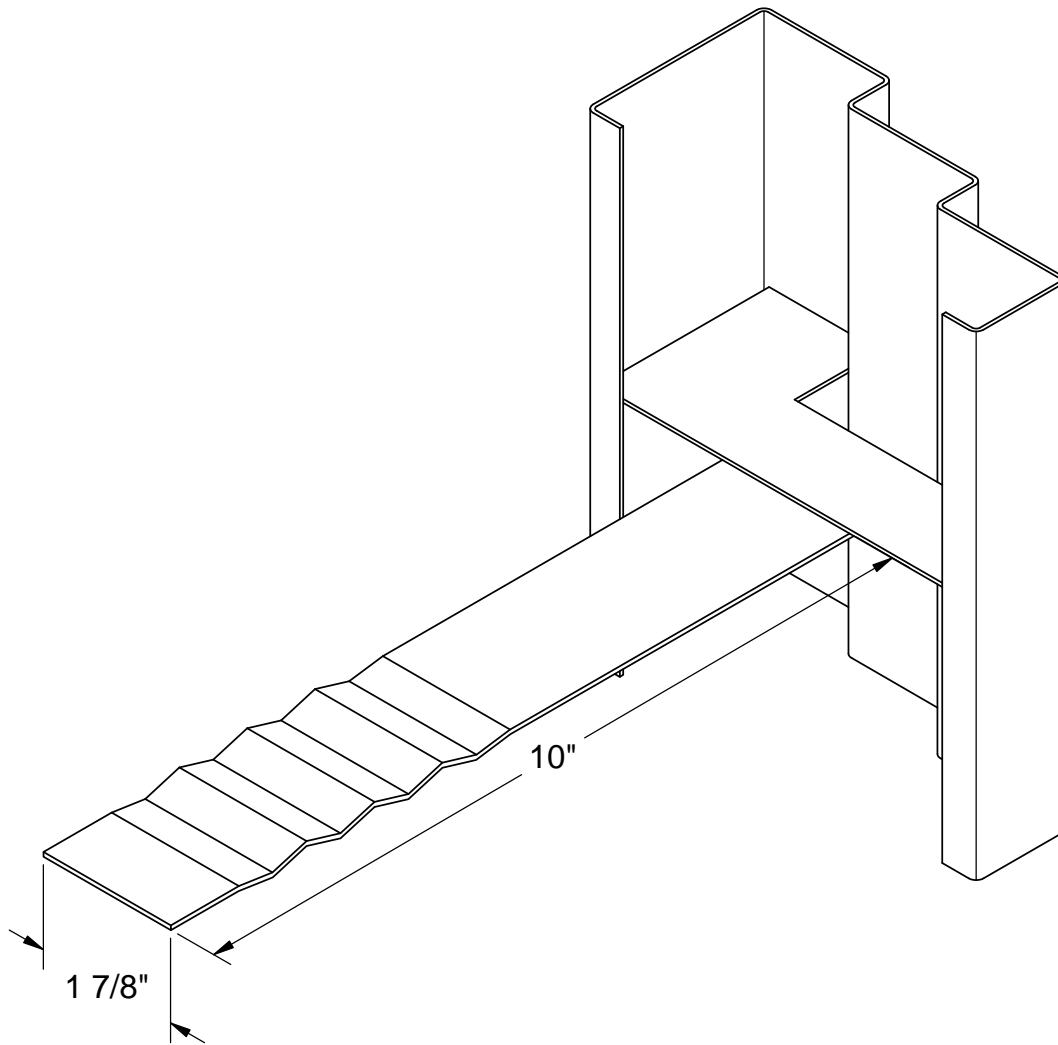
F SERIES
FRAME ANCHOR - MASONRY WELDED IN STRAP ANCHOR



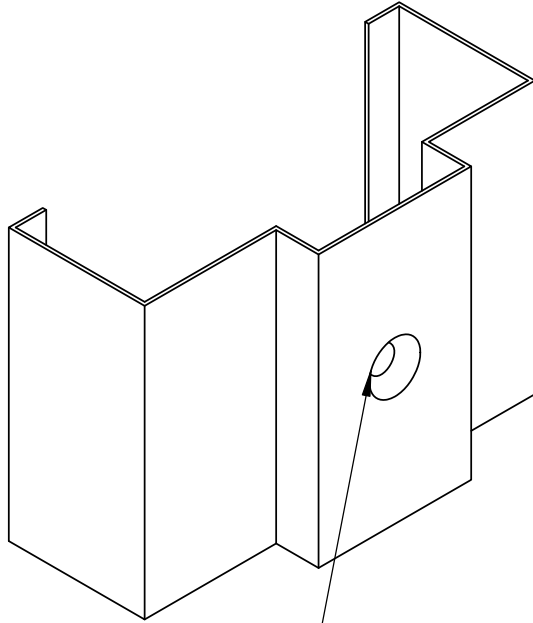
F SERIES
FRAME ANCHOR - MASONRY T ANCHOR



F SERIES
FRAME ANCHOR - DOUBLE EGRESS MASONRY T ANCHOR

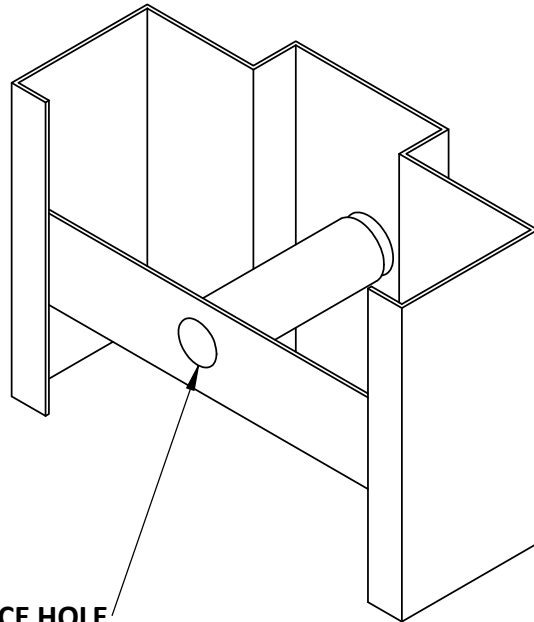


F SERIES
FRAME ANCHOR - PUNCH & DIMPLE WITH TUBE



COUNTERSINK

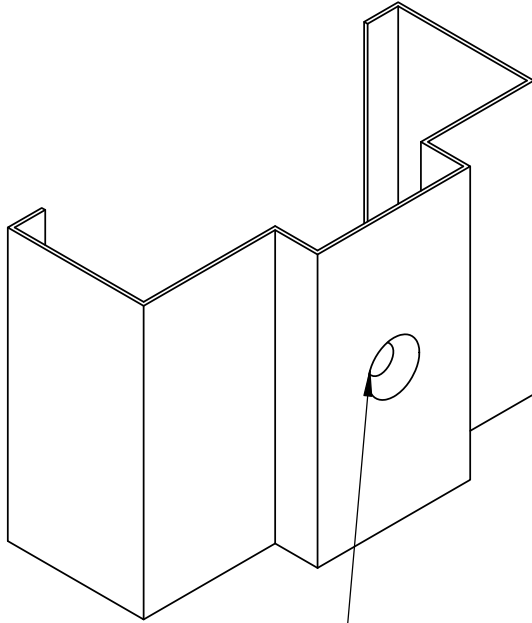
PREPARED FOR 3/8" DIAMETER EXPANSION
ANCHOR OR #24 WOOD SCREW



9/16" CLEARANCE HOLE



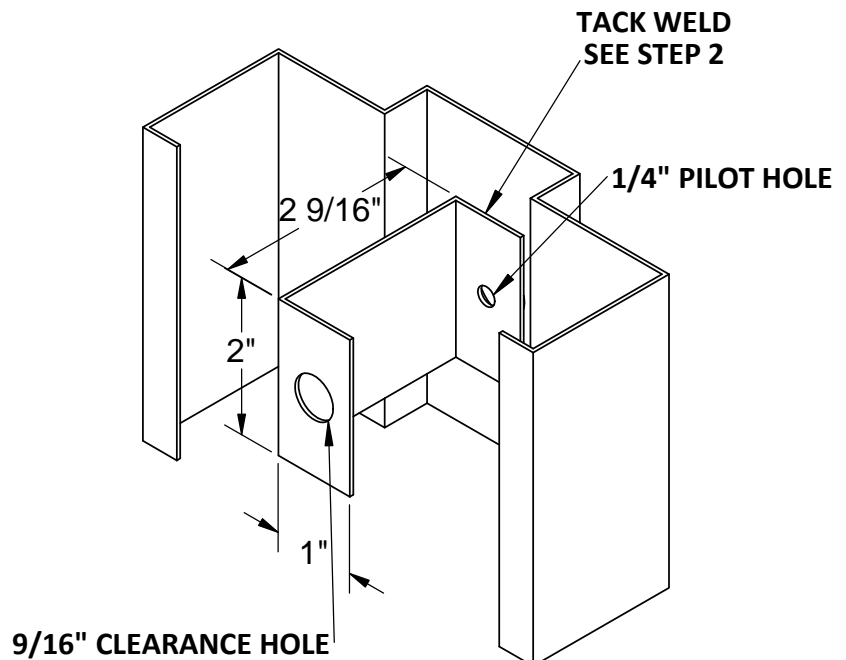
**F SERIES
FRAME ANCHOR - AEW (ANCHOR EXISTING WALL)**



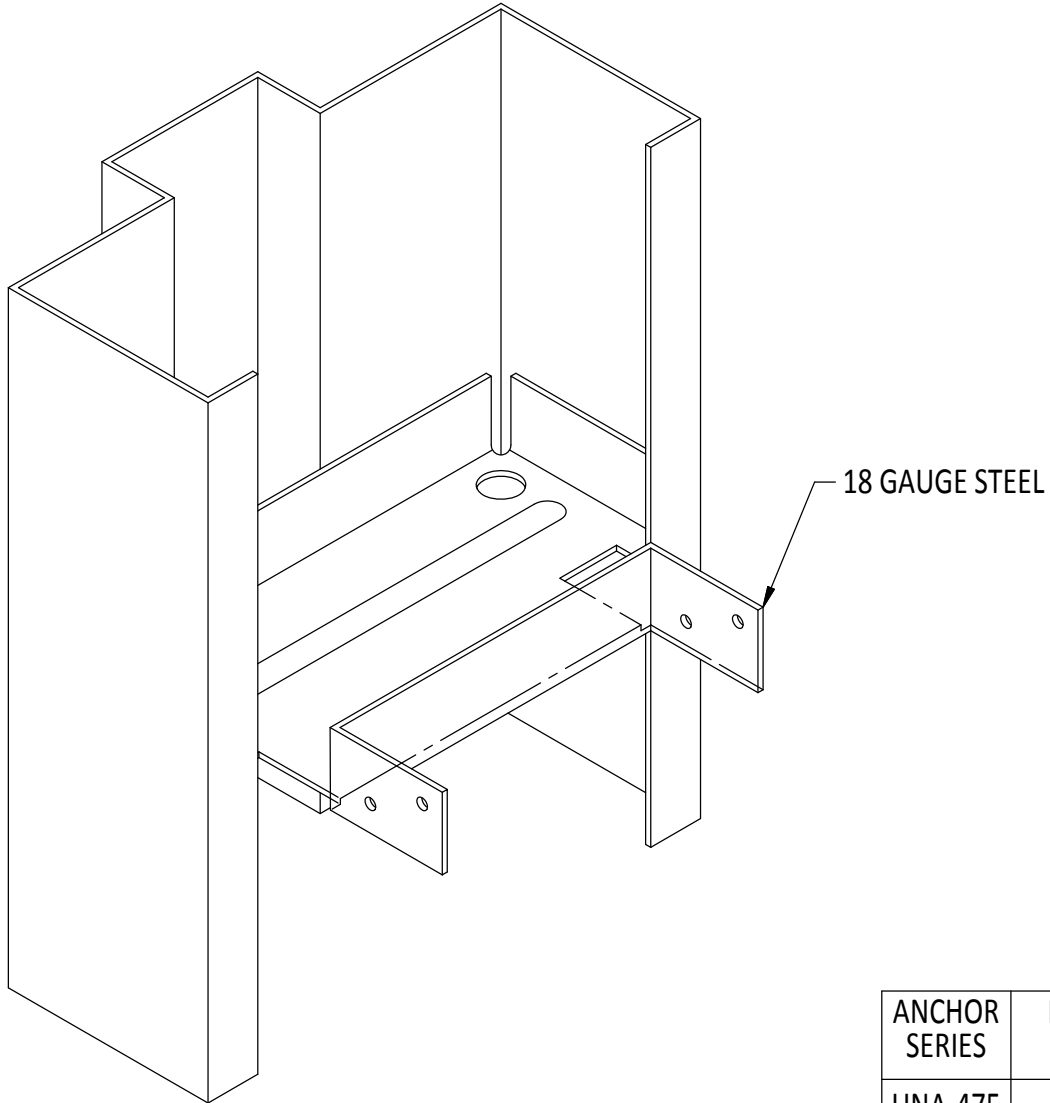
**SEE STEP 4 FOR
COUNTERSINK DETAIL**

INSTALLATION PROCEDURE

1. DRILL 1/4" DIAMETER HOLE IN SOFFIT AS AN AID TO LOCATE ANCHOR.
2. ALIGN 1/4" HOLE IN ANCHOR WITH THE HOLE DRILLED IN STEP 1 AND WELD THE ANCHOR TO THE FRAME.
3. DRILL 7/16" HOLE THROUGH FRAME AND ANCHOR.
4. COUNTERSINK FOR 3/8" DIAMETER FLAT HEAD MACHINE BOLT OR #24 WOOD SCREW.



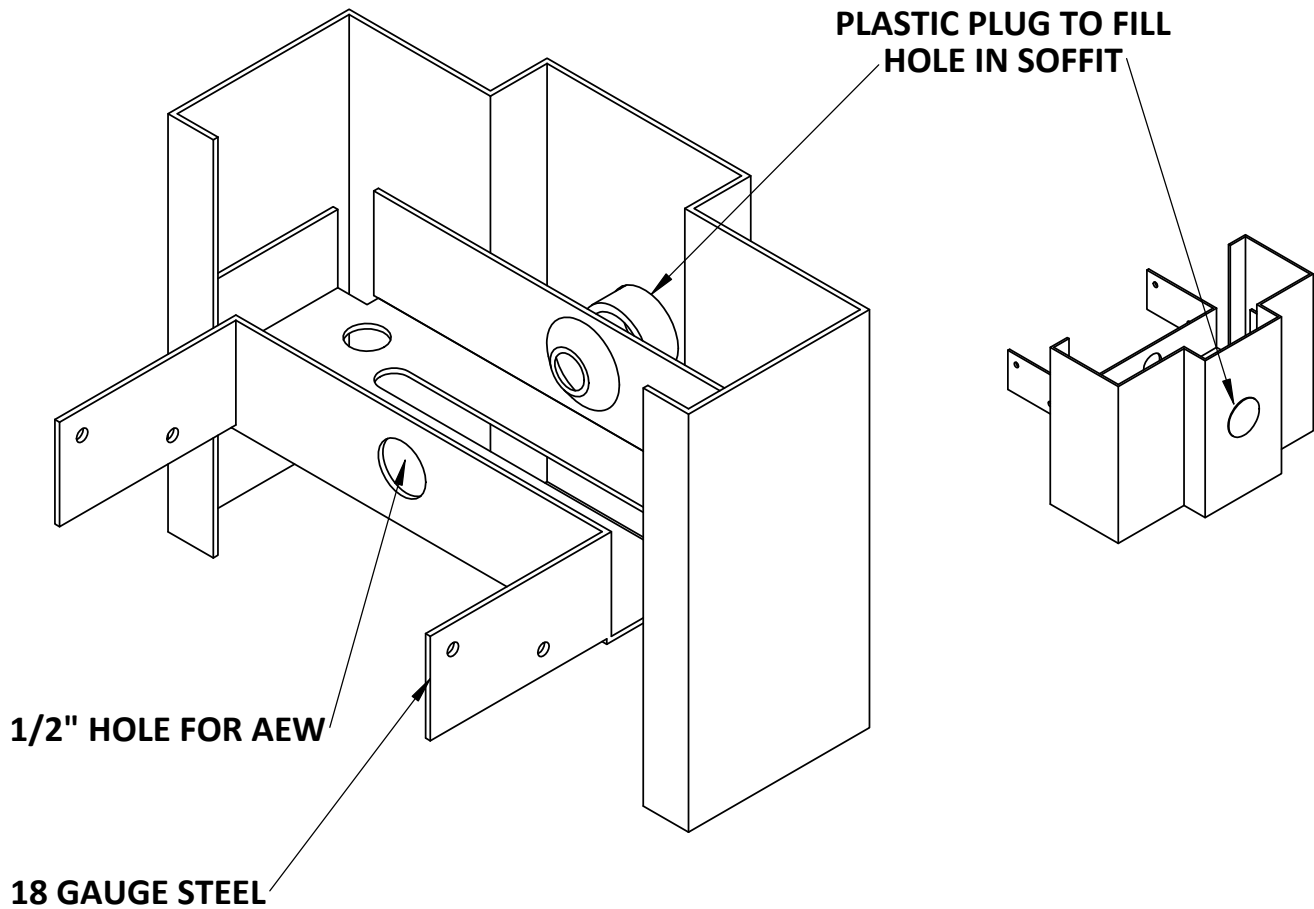
**F SERIES
FRAME ANCHOR - UNIVERSAL ANCHOR (UNA)**



| ANCHOR SERIES | FRAME DEPTH |
|---------------|-------------|
| UNA-475 | 4 3/4" |
| UNA-575 | SEE F-26 |
| UNA-675 | 6 3/4" |
| UNA-775 | 7 3/4" |
| UNA-875 | 8 3/4" |



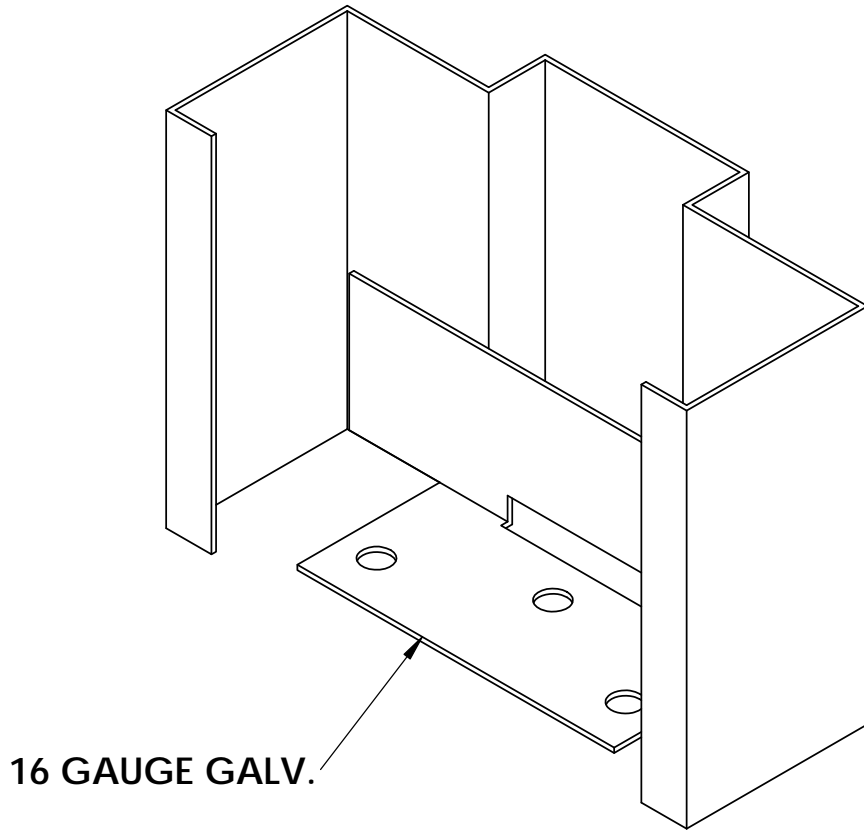
**F SERIES
FRAME ANCHOR - UNIVERSAL ANCHOR (UNA) 5 3/4"**



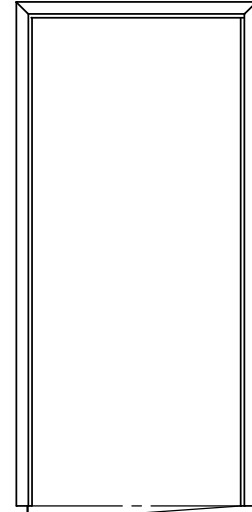
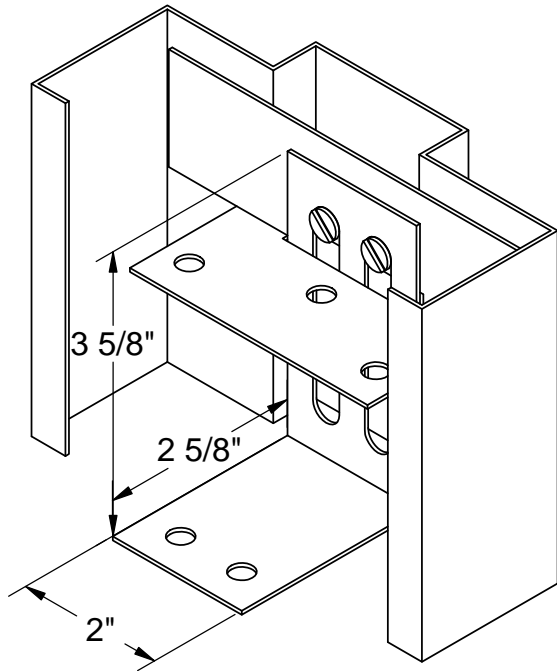
1. DRILL 3/4" HOLE IN SOFFIT.
2. LOCATE ANCHOR AT HOLE.
3. INSERT ANCHOR INTO WALL - 3/8" DIAMETER MACHINE ANCHOR OR #24 WOOD SCREW.
4. INSERT PLUG INTO HOLE IN SOFFIT.



F SERIES
FRAME ANCHOR - SILL ANCHOR DOUBLE RABBET FRAME



**F SERIES
FRAME ANCHOR - OPTIONAL ADJUSTABLE SILL ANCHOR**



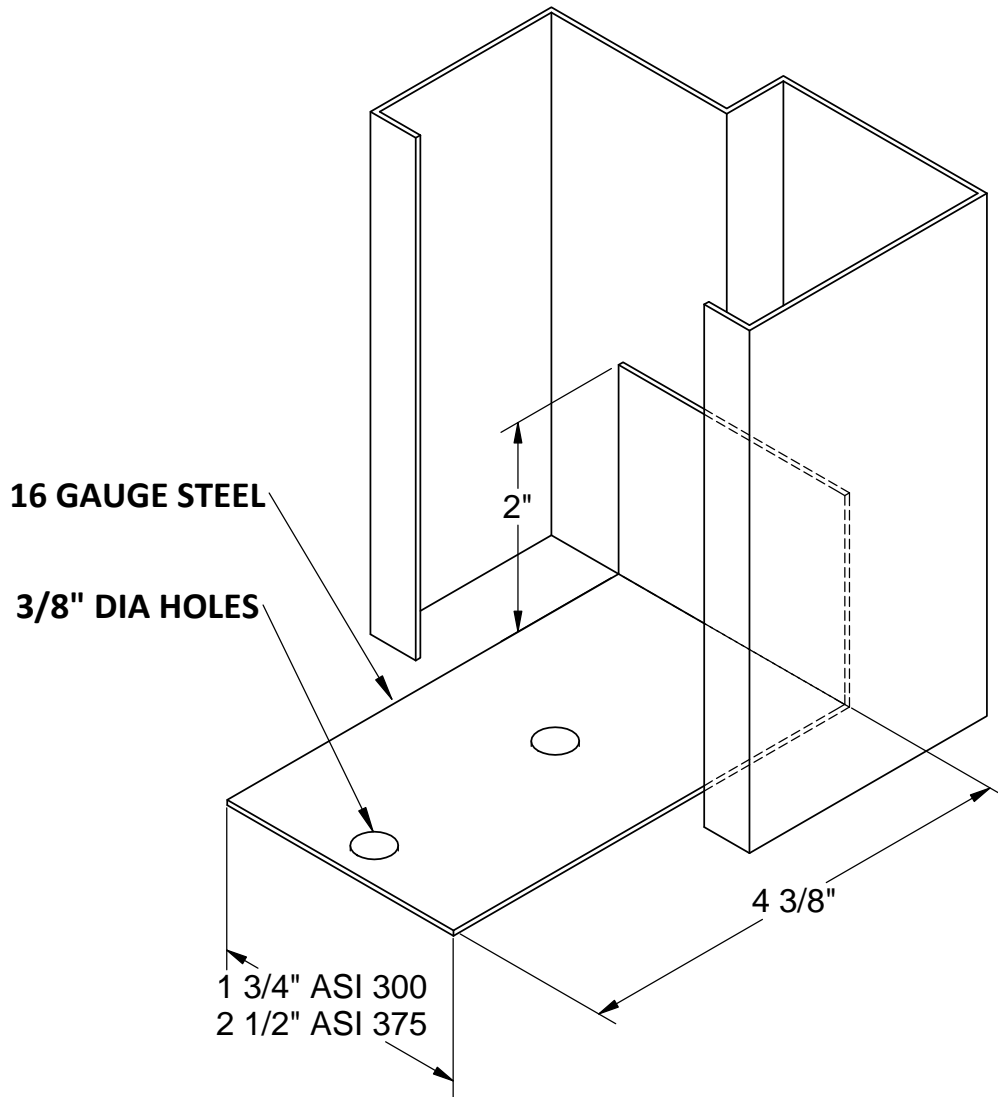
**ADJUSTABLE SILL ANCHOR
REQUIRED WHERE FLOOR IS UNLEVEL**

| ANCHOR NUMBER | FRAME DEPTH |
|----------------------|--------------------|
| ASI-475 | 4 3/4" |
| ASI-575 | 5 3/4" |
| ASI-675 | 6 3/4" |
| ASI-875 | 8 3/4" |

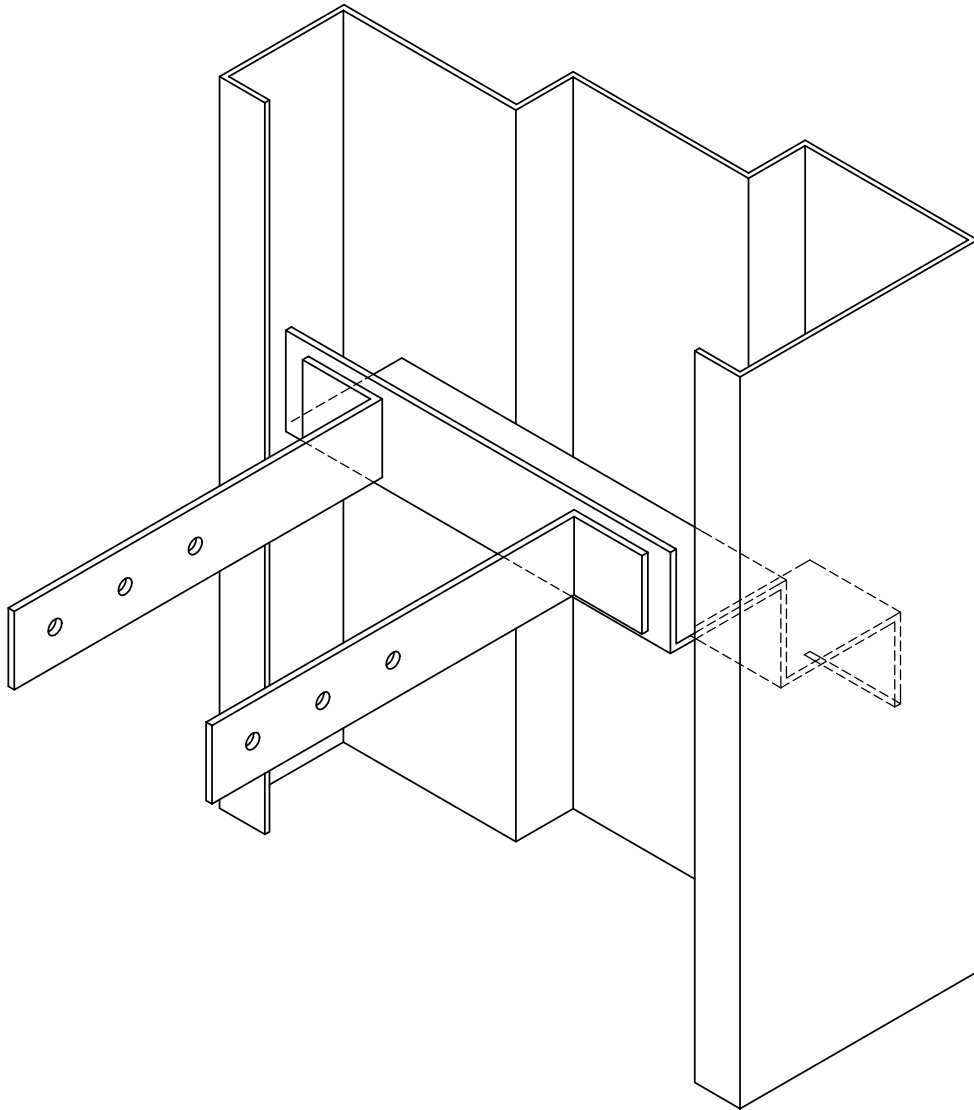


F SERIES
 FRAME ANCHOR - SILL ANCHOR SINGLE RABBET FRAME

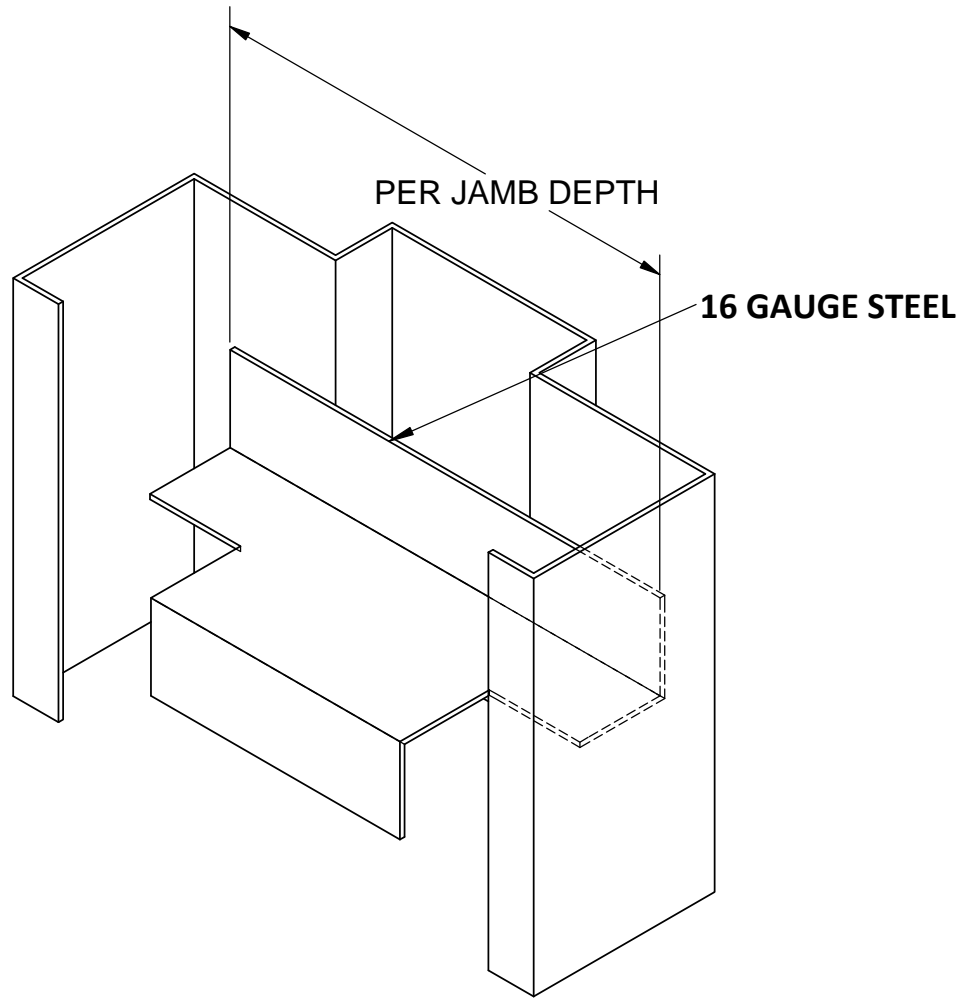
| ANCHOR NUMBER | FRAME DEPTH |
|---------------|-------------|
| ASI-300 | 3" |
| ASI-375 | 3 3/4" |



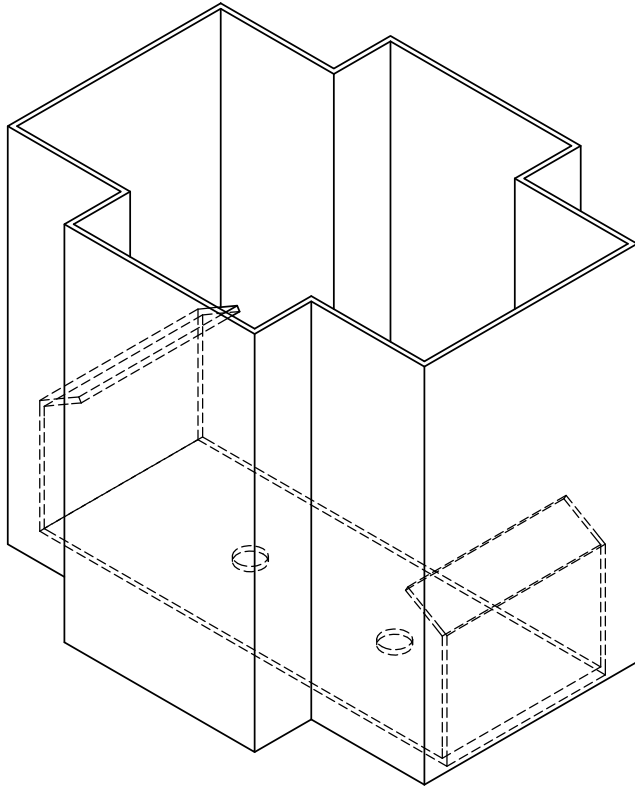
F SERIES
DOUBLE EGRESS ANCHORS- MULTI PURPOSE



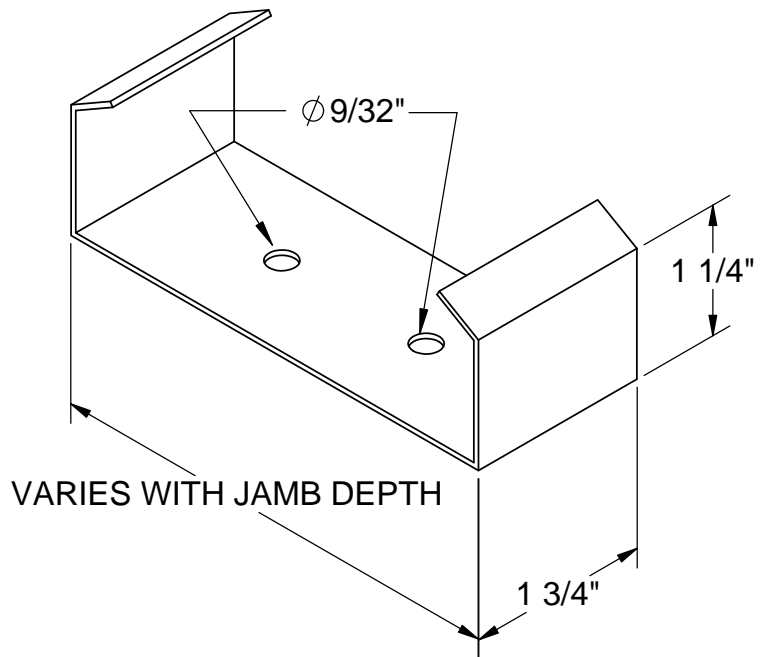
F SERIES
FRAME ANCHOR - METAL STUD "Z" ANCHOR



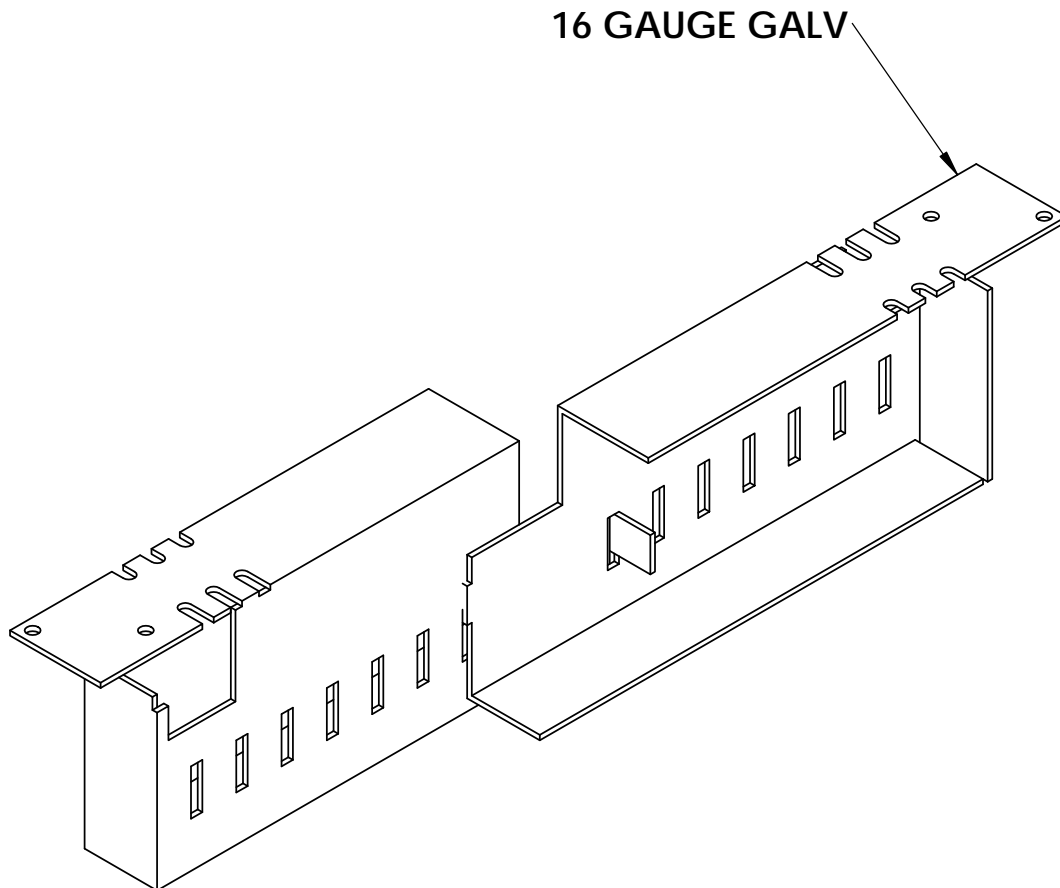
F SERIES
FRAME ANCHOR - MULLION FLOOR ANCHOR



16 GAUGE GALV.
REINFORCEMENT



**F SERIES
FRAME ANCHOR - ADJUSTABLE STUD ANCHOR**



ADJUSTS TO FRAME DEPTH

| PART # | SIZES COVERED |
|----------|-----------------|
| PFA 110 | 4 3/4" - 6 3/4" |
| PFA 380 | 5 3/4" - 8 3/4" |
| PFA 380A | 7" - 12" |

