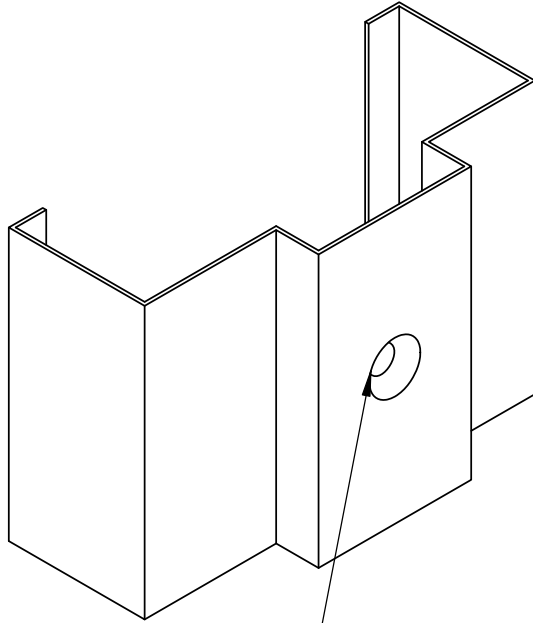
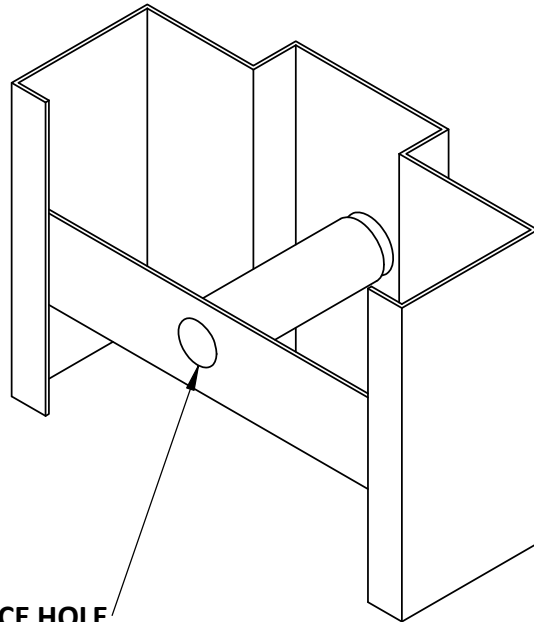


F SERIES
FRAME ANCHOR - PUNCH & DIMPLE WITH TUBE



COUNTERSINK

PREPARED FOR 3/8" DIAMETER EXPANSION
ANCHOR OR #24 WOOD SCREW



9/16" CLEARANCE HOLE

