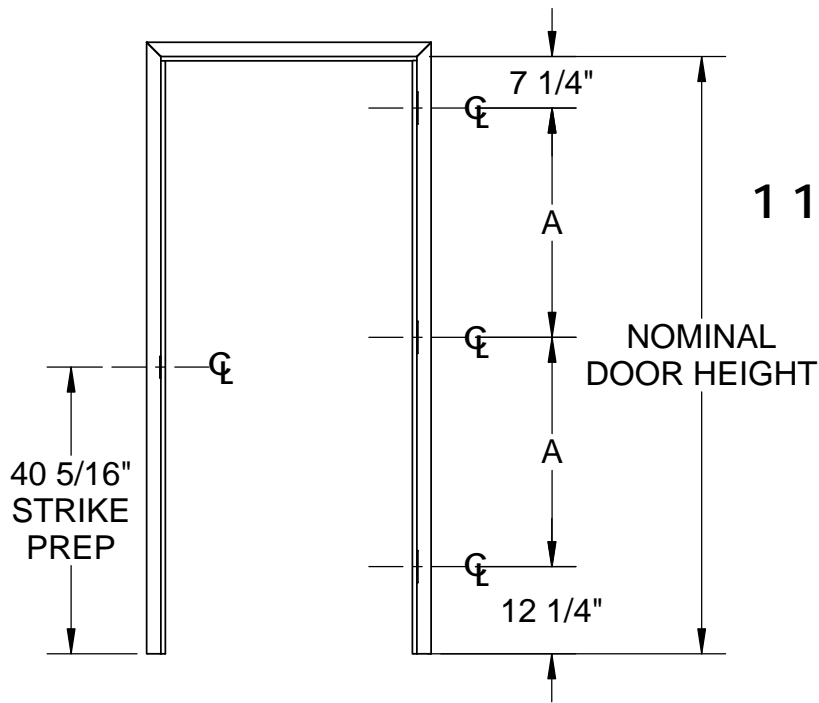


Table of Contents

Frame Preps

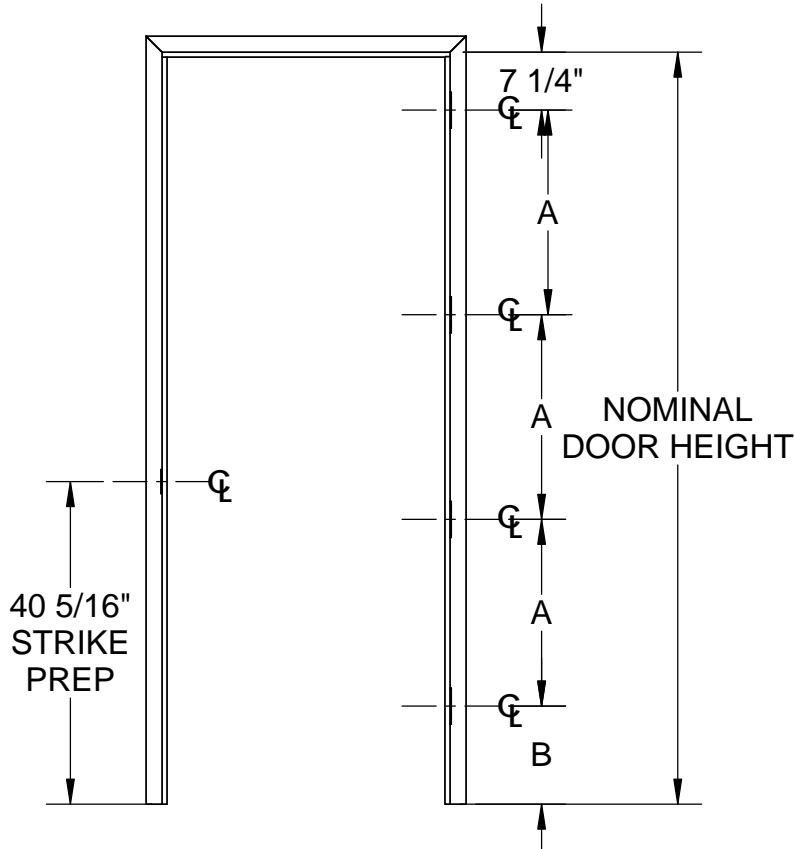
Hinge and Lock Locations 1 of 3.....	FP-1
Hinge and Lock Locations 2 of 3.....	FP-2
Hinge and Lock Locations 3 of 3.....	FP-3
Frame Tolerances.....	FP-4
Hinge Prep.....	FP-5
Closer Reinforcement 1 of 3	FP-6
Closer Reinforcement 2 of 3	FP-7
Closer Reinforcement 3 of 3	FP-8
U Strike Prep	FP-9
C Strike Prep.....	FP-10
Anchor Hinge Prep	FP-11
Double Acting Hinge Prep	FP-12
High Frequency Hinge Prep.....	FP-13
Full Depth Hinge Reinforcement.....	FP-14
Invisible Hinge Prep	FP-15
Continuous Hinge Prep	FP-16
Rescue Hardware	FP-17
Interconnected Lock Prep	FP-18
Deadlock Prep	FP-19
Electric Strike	FP-20
Rim Exit	FP-21
SVR Strike Prep.....	FP-22
CVR Strike Prep	FP-23
Flush Bolt Prep	FP-24
EPT	FP-25
Concealed Door Position Switch	FP-26
Concealed Closer Prep	FP-27
Concealed Stop	FP-28
Surface Bolt.....	FP-29
Pivots.....	FP-30
Pocket Pivot	FP-31
Offset Pivots.....	FP-32
Removable Hardware Mullion Prep.....	FP-33

FRAME DETAILS
1 3/4" FRAMES - HINGE AND LOCK LOCATIONS



6'8", 7'0", 7'2"
1 1/2 PAIR OF HINGES

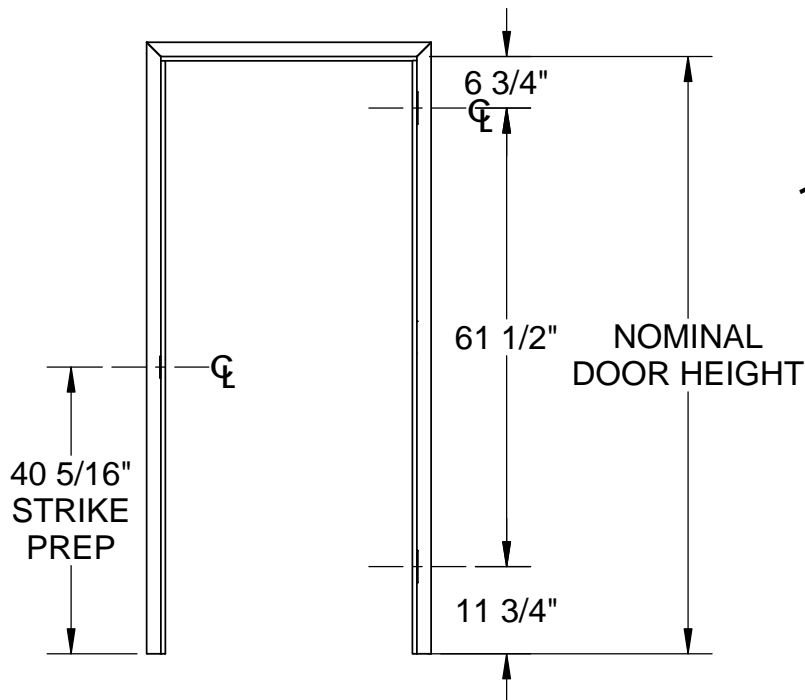
FRAME HEIGHT	DIM A
6'8"	30 1/4"
7'0"	32 1/4"
7'2"	33 1/4"



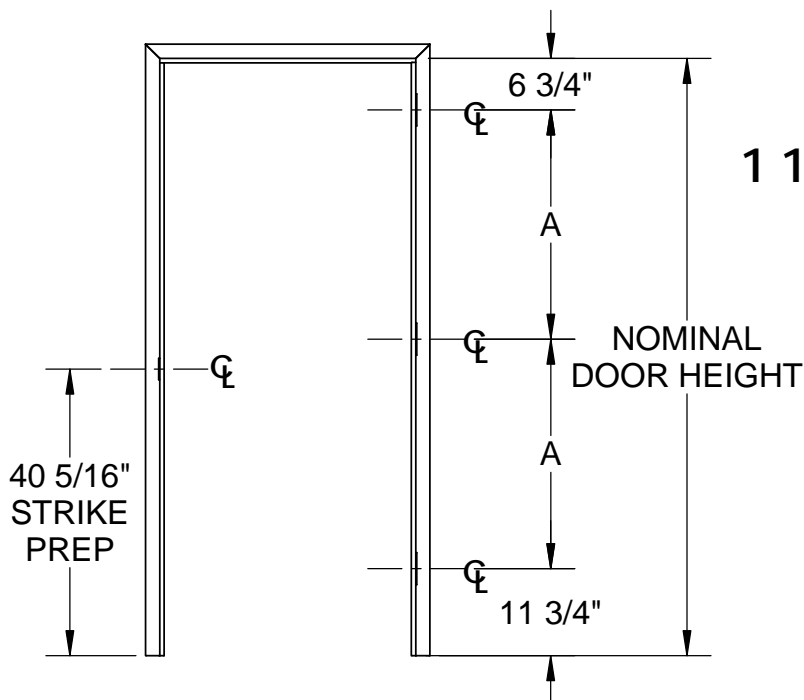
7'10", 8'0"
2 PAIR OF HINGES

FRAME HEIGHT	DIM A	DIM B
7'10"	25 1/2"	10 1/4"
8'0"	25 1/2"	12 1/4"

FRAME DETAILS
1 3/8" FRAMES - HINGE AND LOCK LOCATIONS



6'8"
1 PAIR OF HINGES



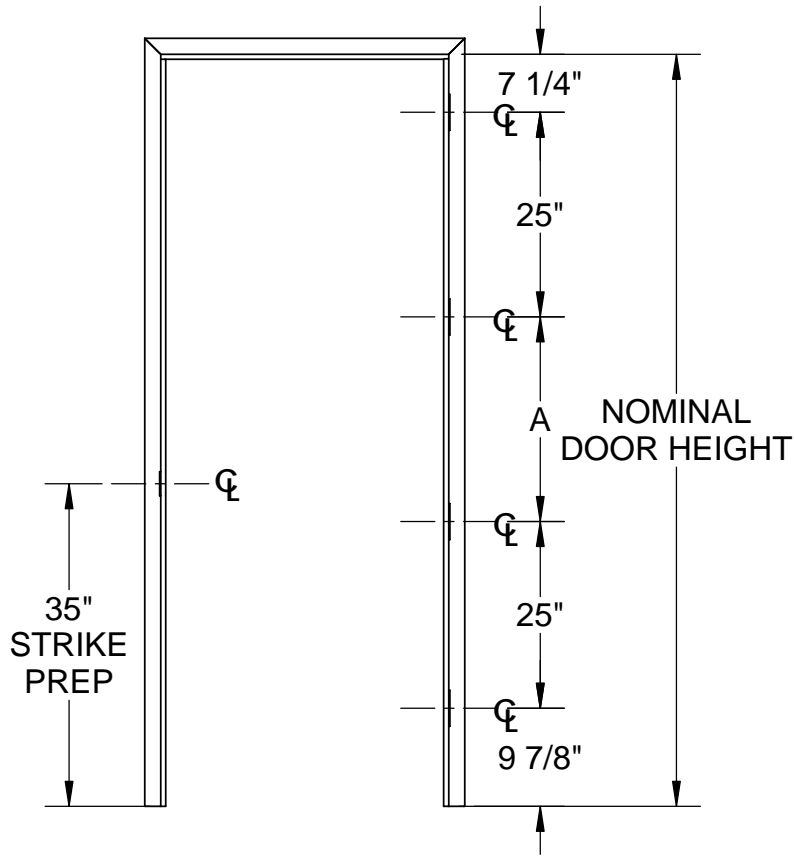
7'0", 7'2"
1 1/2 PAIR OF HINGES

FRAME HEIGHT	DIM A
7'0"	32 3/4"
7'2"	33 3/4"



FRAME DETAILS

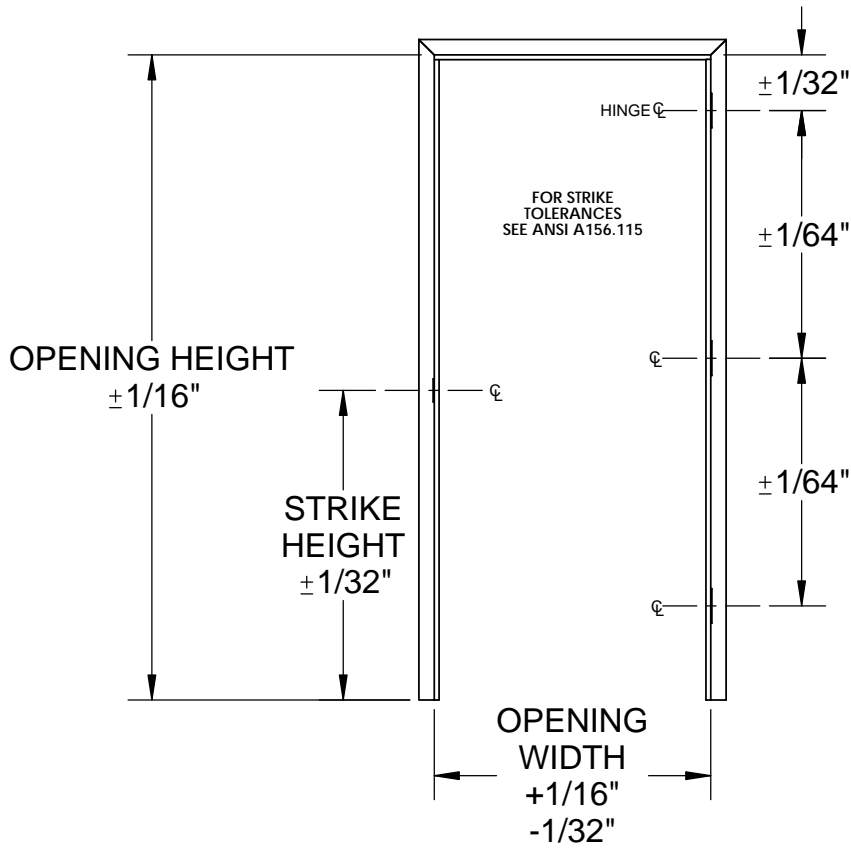
1 3/4" FRAMES - HINGE AND LOCK LOCATIONS FOR DUTCH DOORS



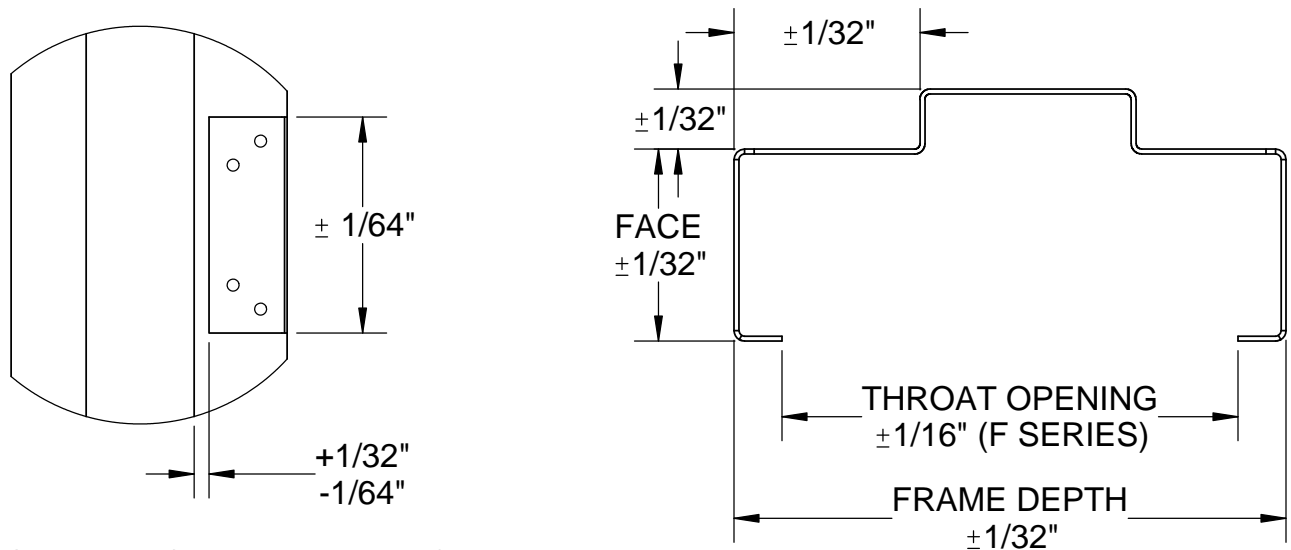
6'8", 7'0", 7'2"
2 PAIR OF HINGES

FRAME HEIGHT	DIM A
6'8"	12 7/8"
7'0"	16 7/8"
7'2"	18 7/8"

**FRAME DETAILS
FRAME TOLERANCES**



HINGE PREPARATION

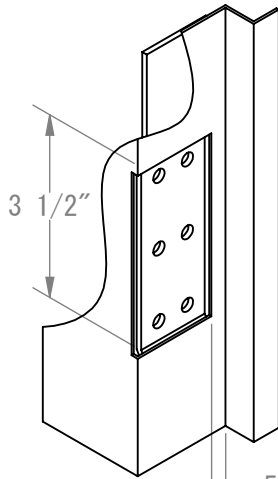


*TOLERANCES BETWEEN HINGE CENTERLINES ARE NON-ACCUMULATIVE

**BASED ON NOMINAL HINGE HEIGHT $\pm 1/32"$

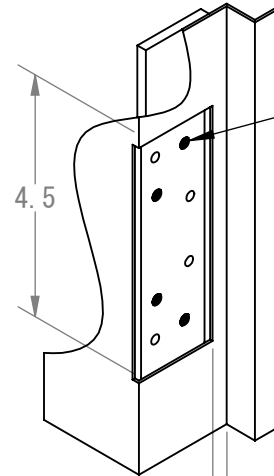
*THROAT OPENING-FDJ DRYWALL $\pm 1/16"$

FRAME DETAILS
HINGE PREP 3 1/2", 4 1/2", AND 5"



Machine Screw Size:
10-24 x 1/2" F.H. with No. 9 Head

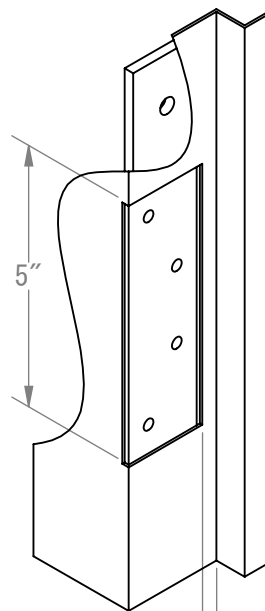
5/16" BACKSET



GRIND OFF ALL
PROJECTIONS
FOR HEAVY
WEIGHT HINGES

5/16" BACKSET

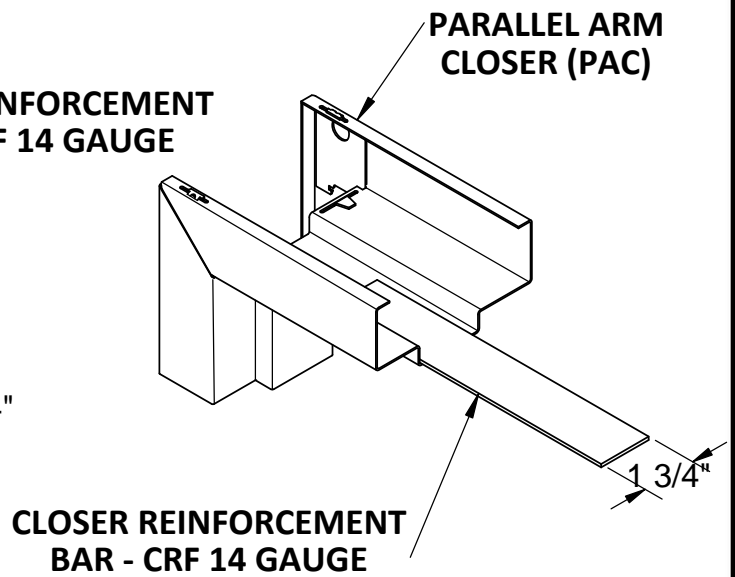
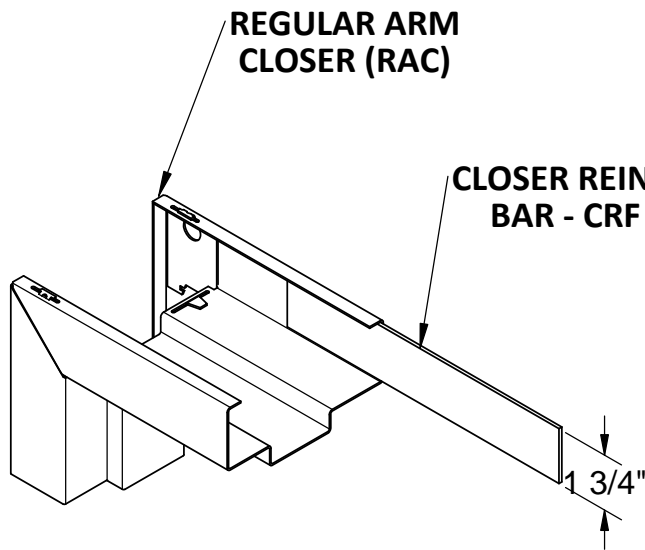
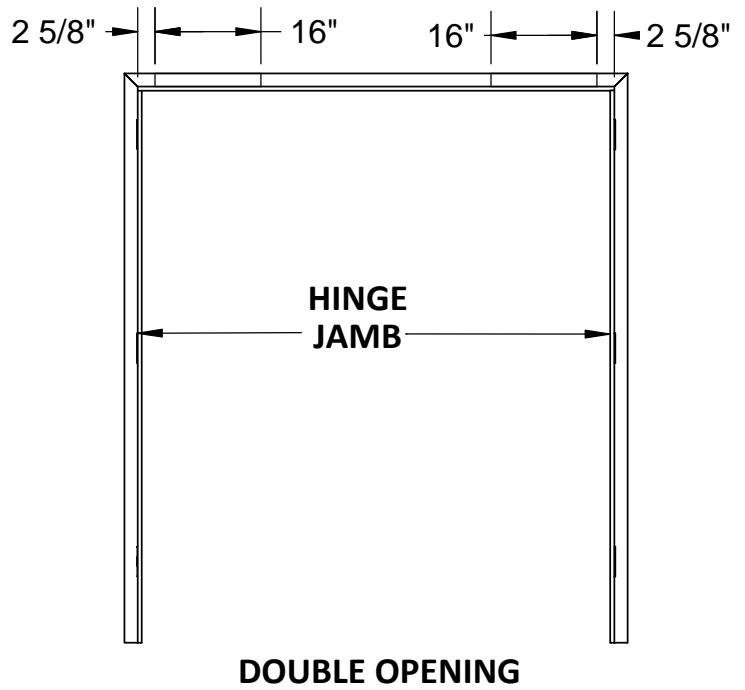
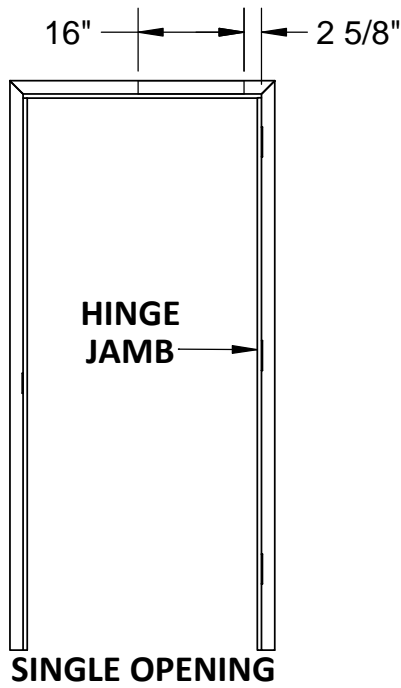
Machine Screw Size:
12-24 x 1/2" F.H.



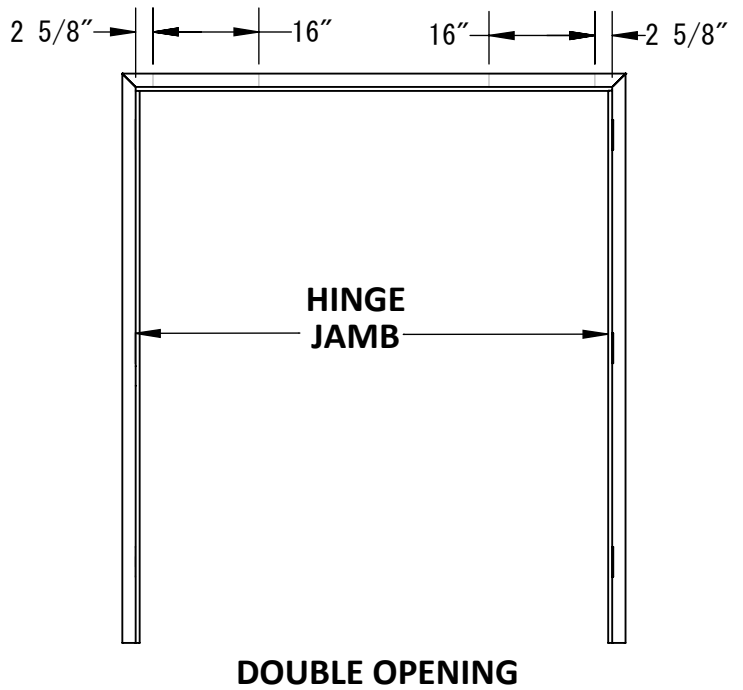
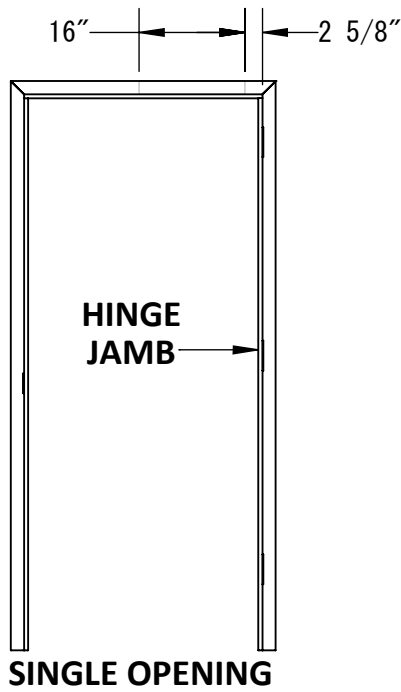
5/16" BACKSET



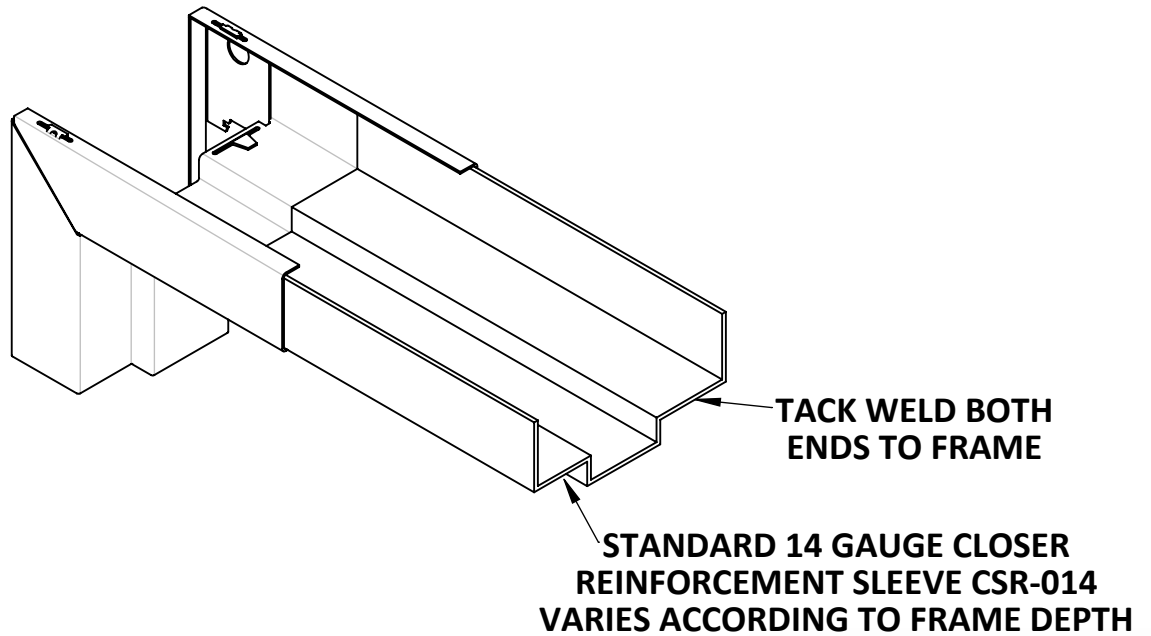
**FRAME DETAILS
STANDARD CLOSER REINFORCEMENT BAR**



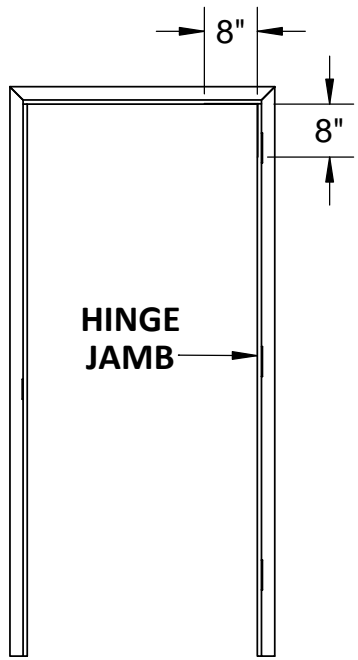
**FRAME DETAILS
STANDARD CLOSER REINFORCEMENT SLEEVE**



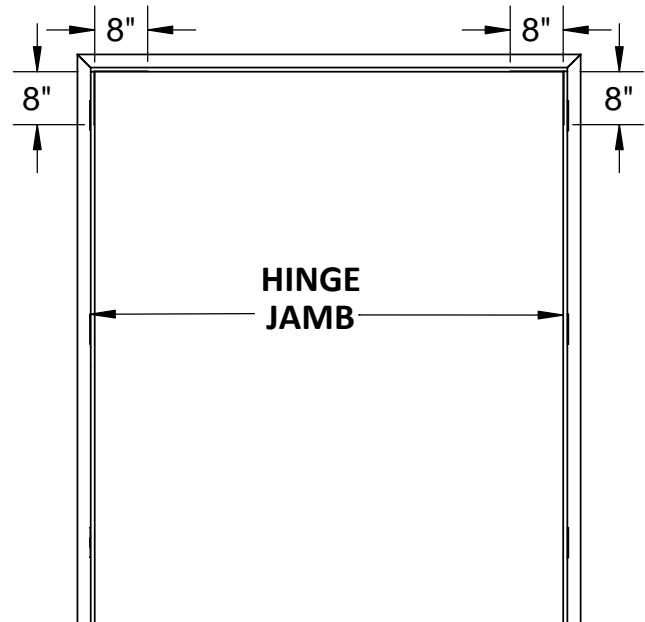
**INSERT CLOSER SLEEVE REINFORCEMENT
BEFORE ASSEMBLING FRAME.**



**FRAME DETAILS
CORNER BRACKET MOUNTED CLOSER REINFORCEMENT**

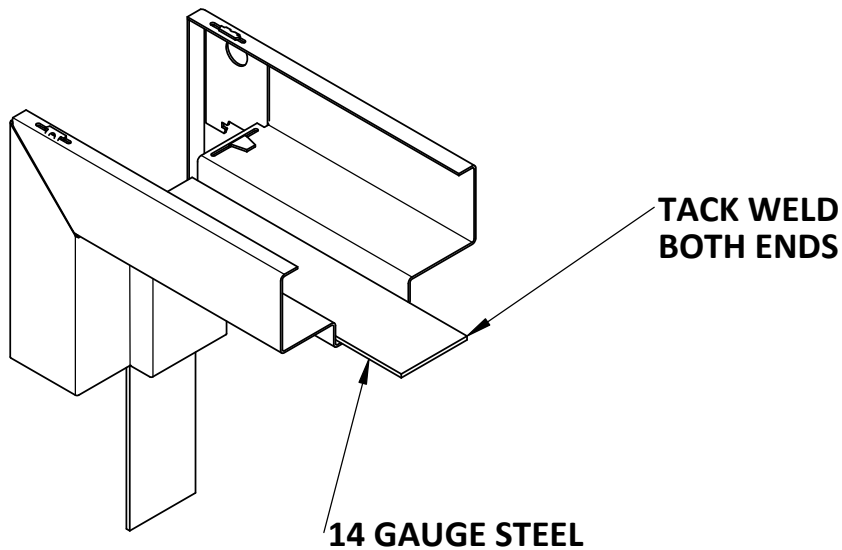


SINGLE OPENING



DOUBLE OPENING

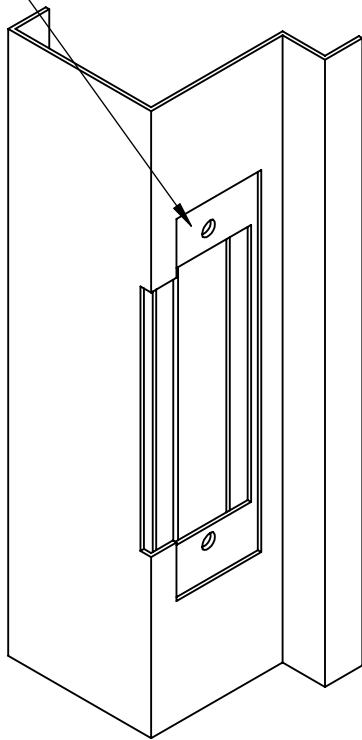
**VARIES IN WIDTH
ACCORDING TO FRAME DEPTH**



**FRAME DETAILS
STANDARD STRIKE PREPARATIONS**

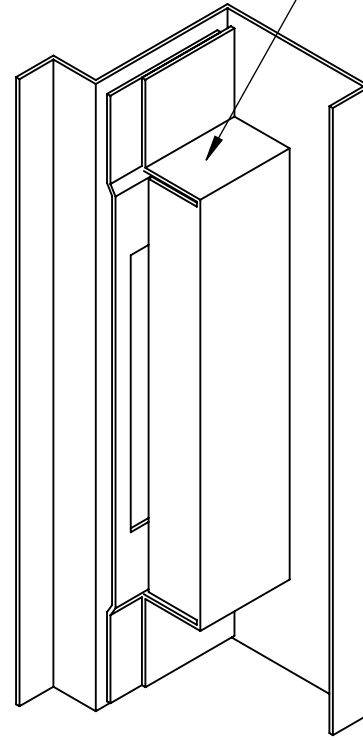
**A 14 GAUGE STRIKE REINFORCEMENT
PROJECTION WELDED TO FRAME.
STRIKE MORTISE CONFORMS TO ANSI A156.115.**

**A 20 GAUGE STEEL PLASTER GUARD PROJECTION
WELDED TO STRIKE REINFORCEMENT.**



PART # PFSRU

**"U" STRIKE MORTISE
(ASA STRIKE)**

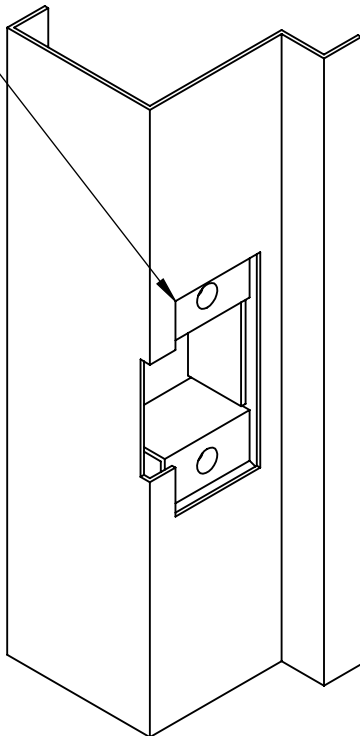


PART # PFUPG

BACK VIEW

FRAME DETAILS
STANDARD STRIKE PREPARATIONS

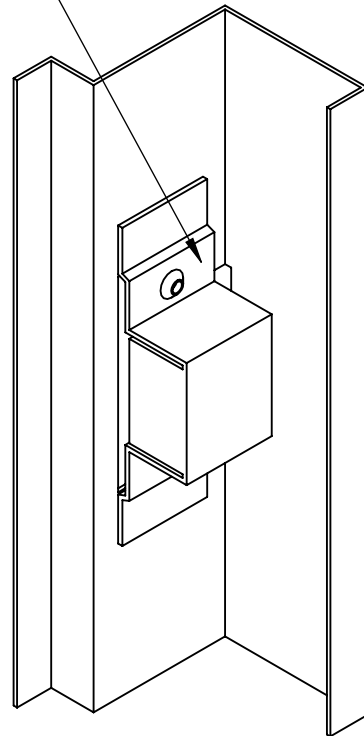
A 14 GAUGE STRIKE REINFORCEMENT
PROJECTION WELDED TO FRAME.
STRIKE MORTISE CONFORMS TO ANSI A156.115.



PART # PVSRC

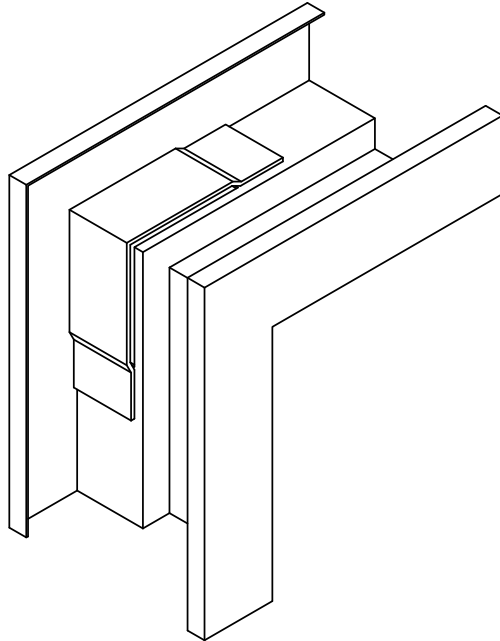
"C" STRIKE MORTISE
(T STRIKE)

A 14 GAUGE STRIKE REINFORCEMENT
WITH PLASTER GUARD.

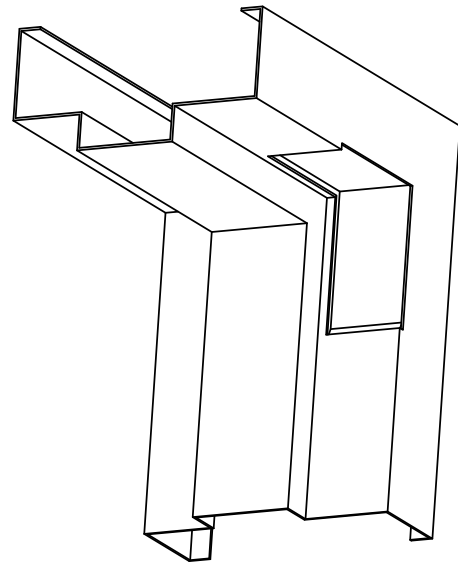


BACK VIEW

**FRAME DETAILS
ANCHOR HINGE PREPARATION**

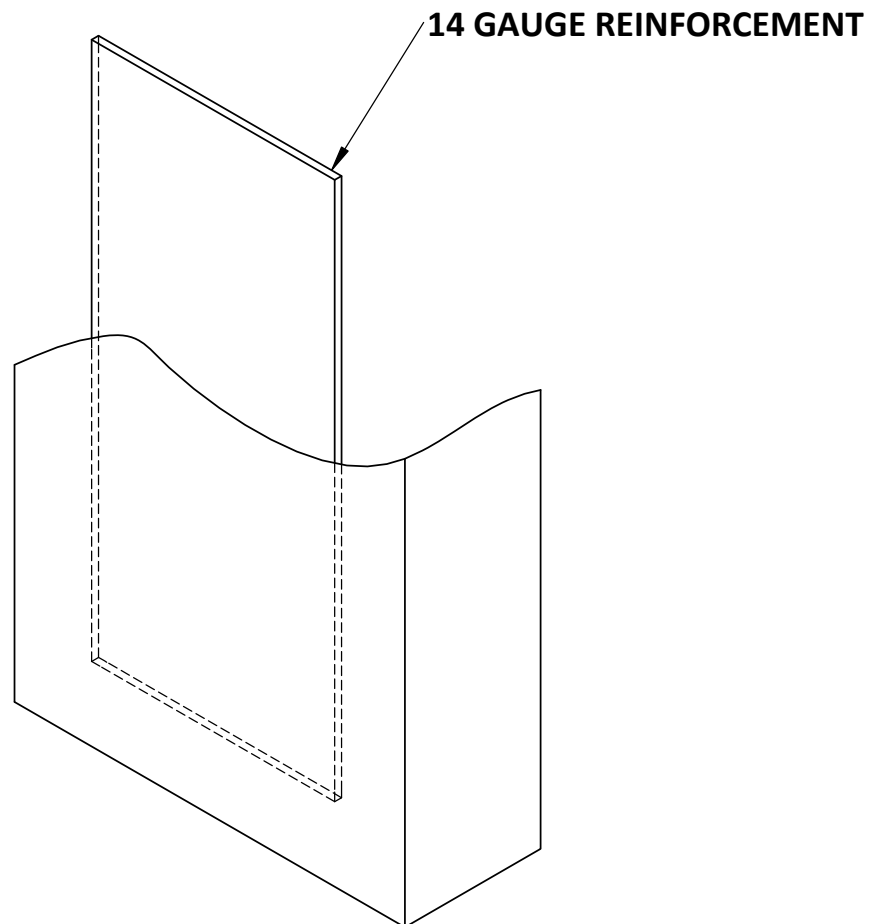


**7 GAUGE
REINFORCED PER TEMPLATE
FOR DRILL AND TAP BY OTHERS**

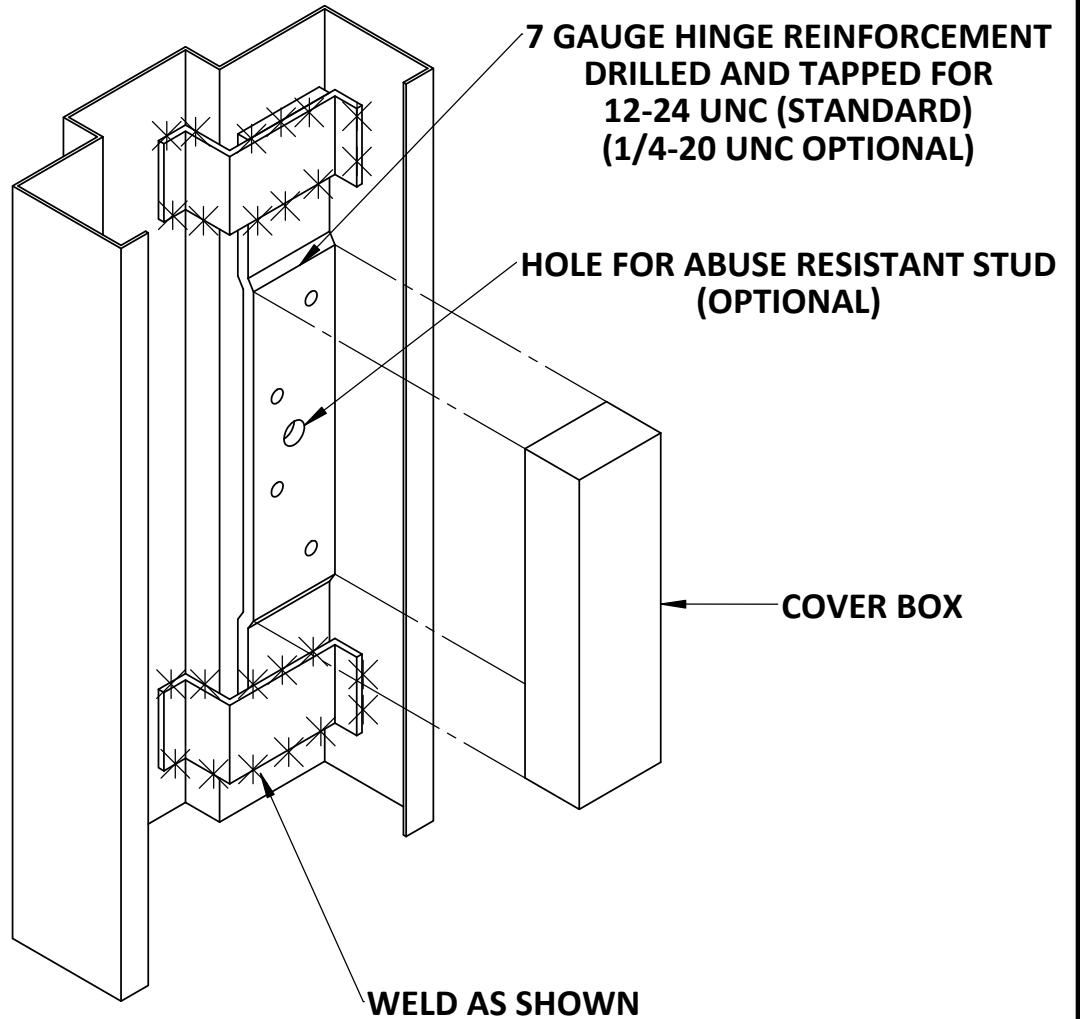


FRAME DETAILS
DOUBLE ACTING HINGE REINFORCEMENT

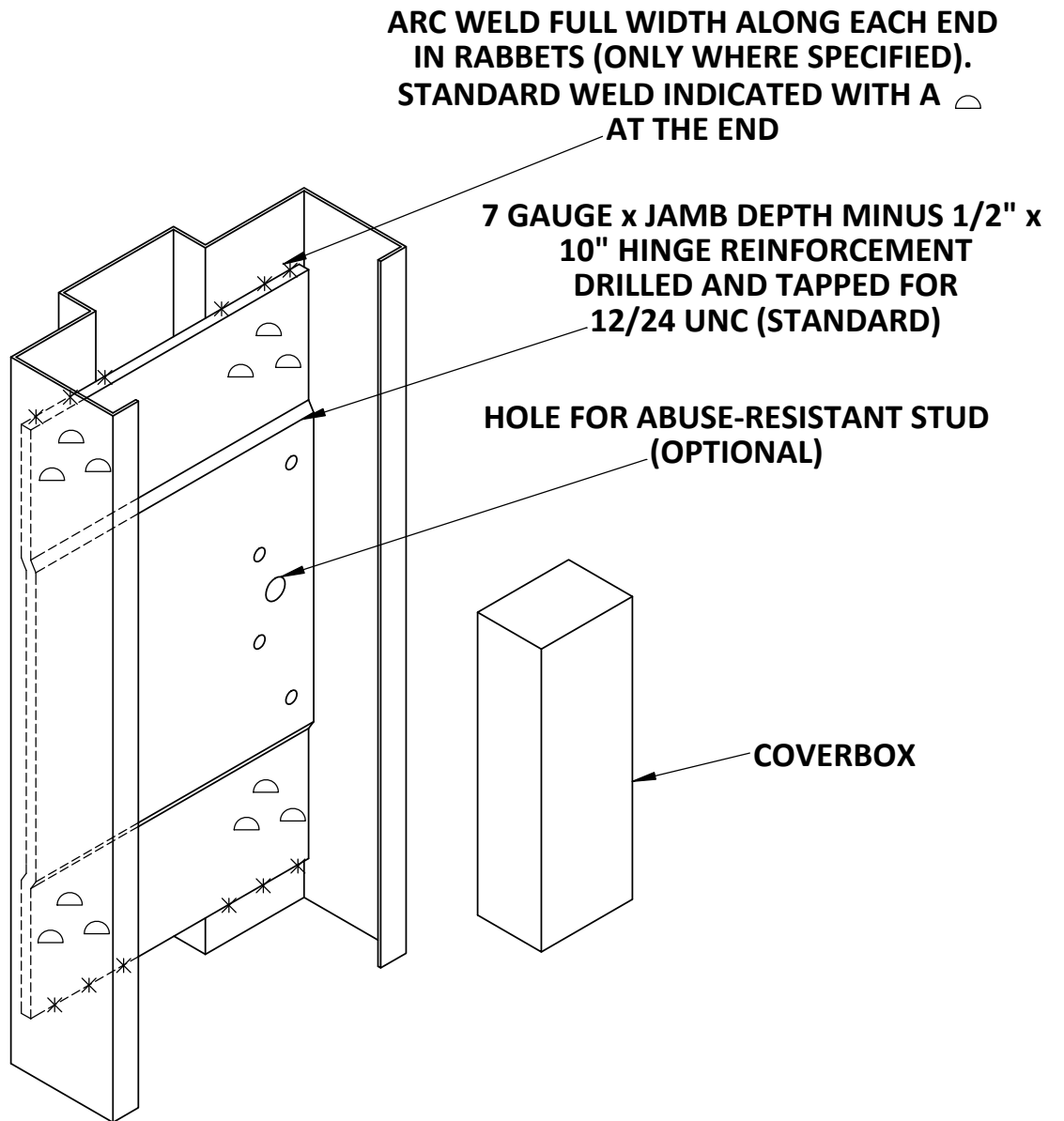
REINFORCEMENT SIZED AND PLACED PER MANUFACTURING LOCATION



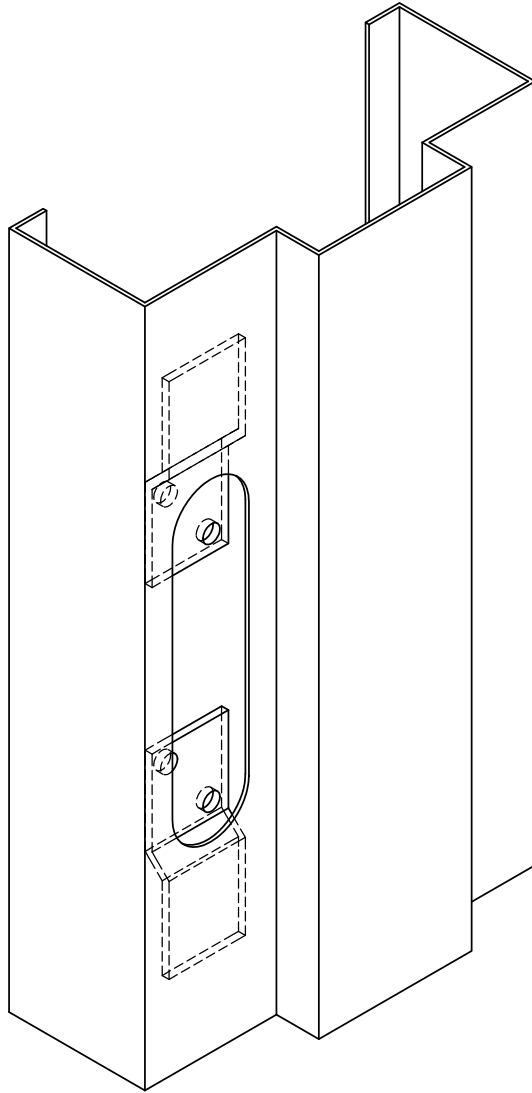
FRAME DETAILS
HIGH FREQUENCY HINGE REINFORCEMENT



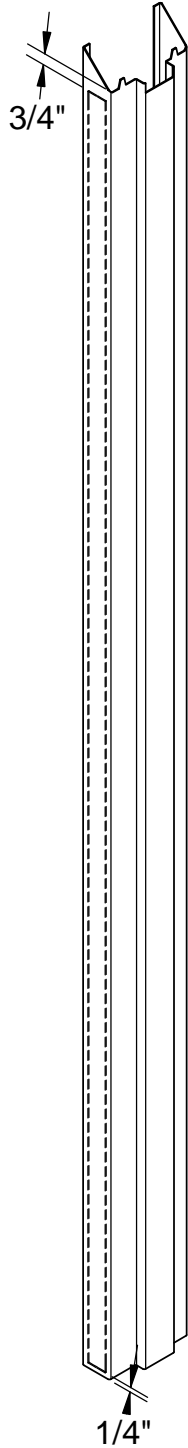
FRAME DETAILS
FULL DEPTH REINFORCEMENT



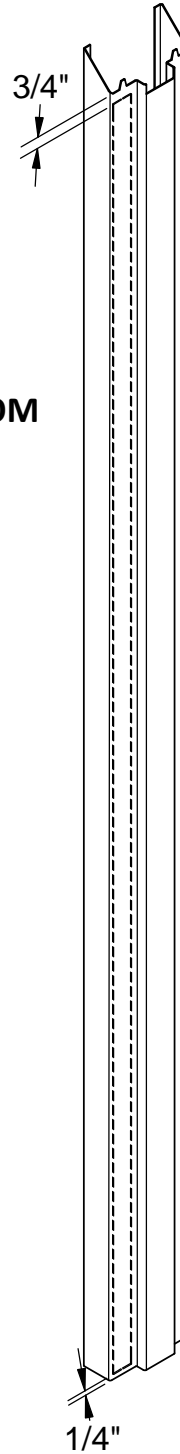
FRAME DETAILS
INVISIBLE HINGE PREPARATION



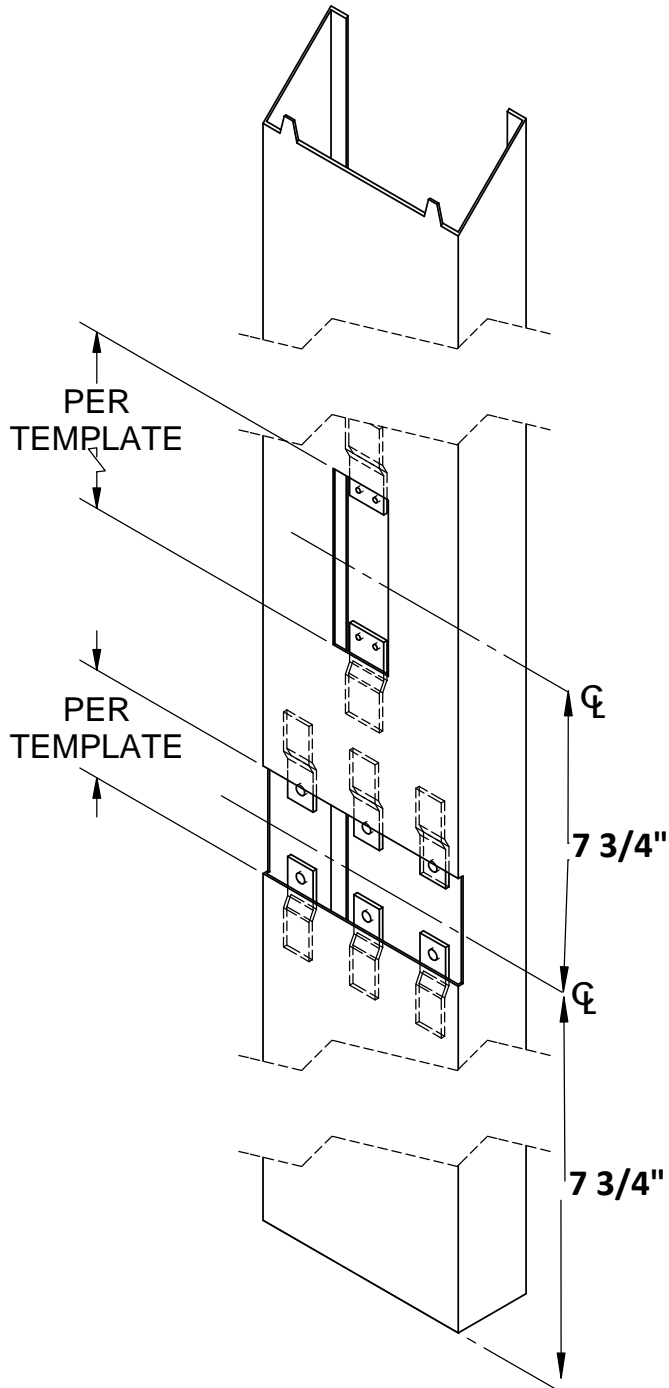
**FRAME DETAILS
CONTINUOUS HINGE REINFORCEMENT**



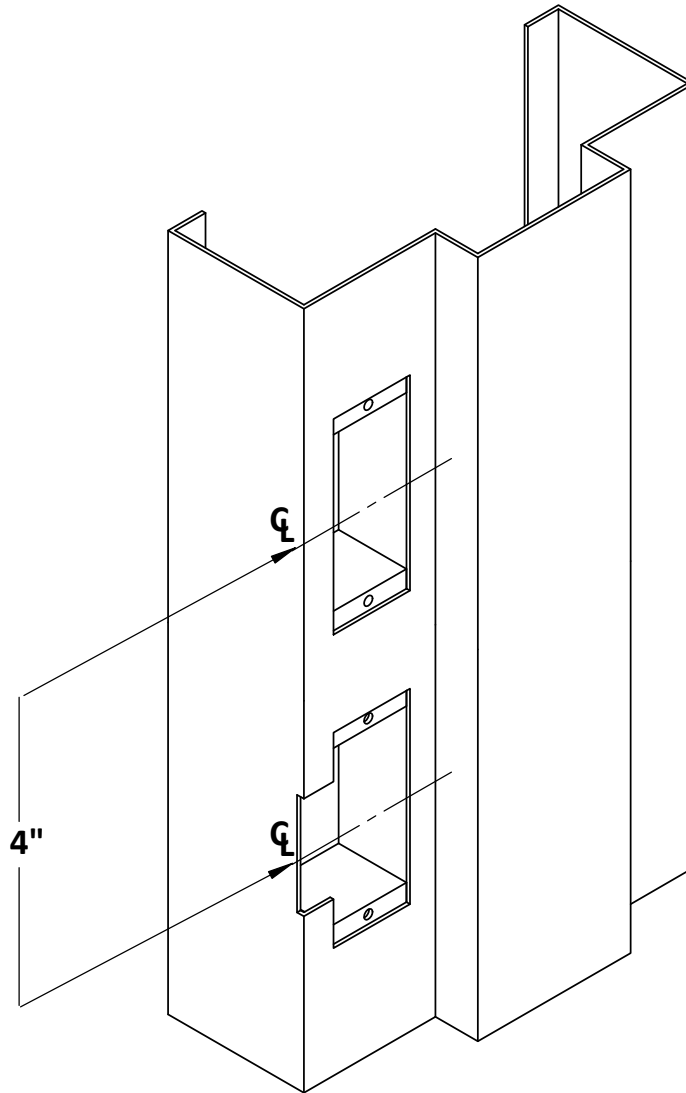
**HINGE REINFORCEMENTS ARE
WELDED IN PLACE.
REINFORCEMENTS ARE MADE FROM
14 GAUGE STEEL.**



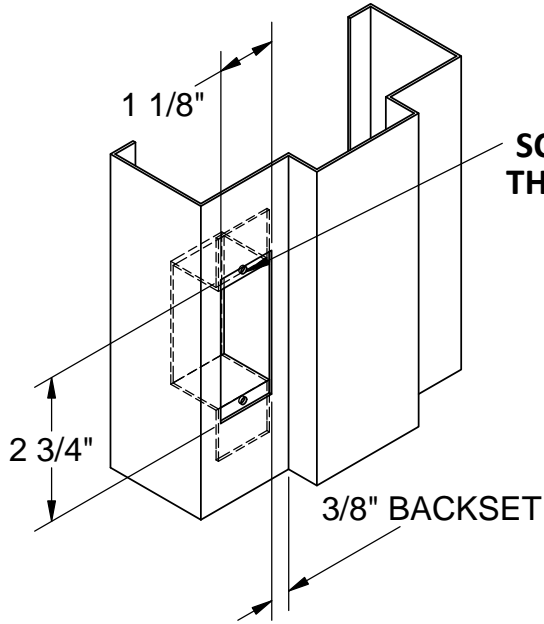
FRAME DETAILS
RESCUE HARDWARE - EMERGENCY STOP AND DOUBLE LIP STRIKE



FRAME DETAILS
INTERCONNECTED LOCK STRIKE PREPARATION

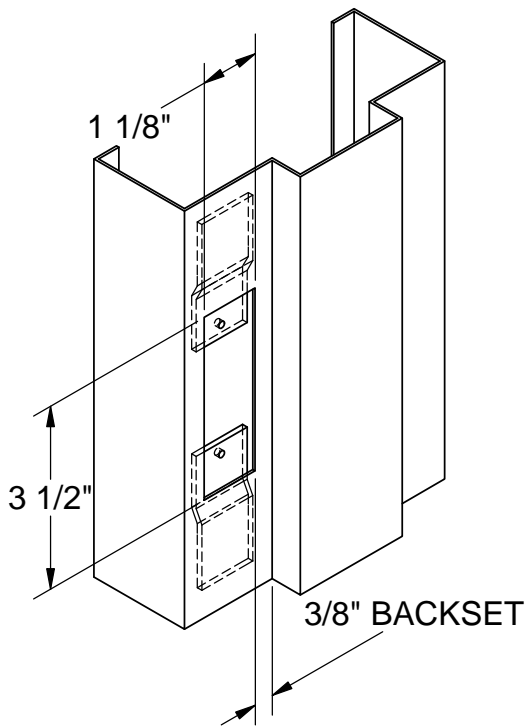


FRAME DETAILS
DEADLOCK STRIKES

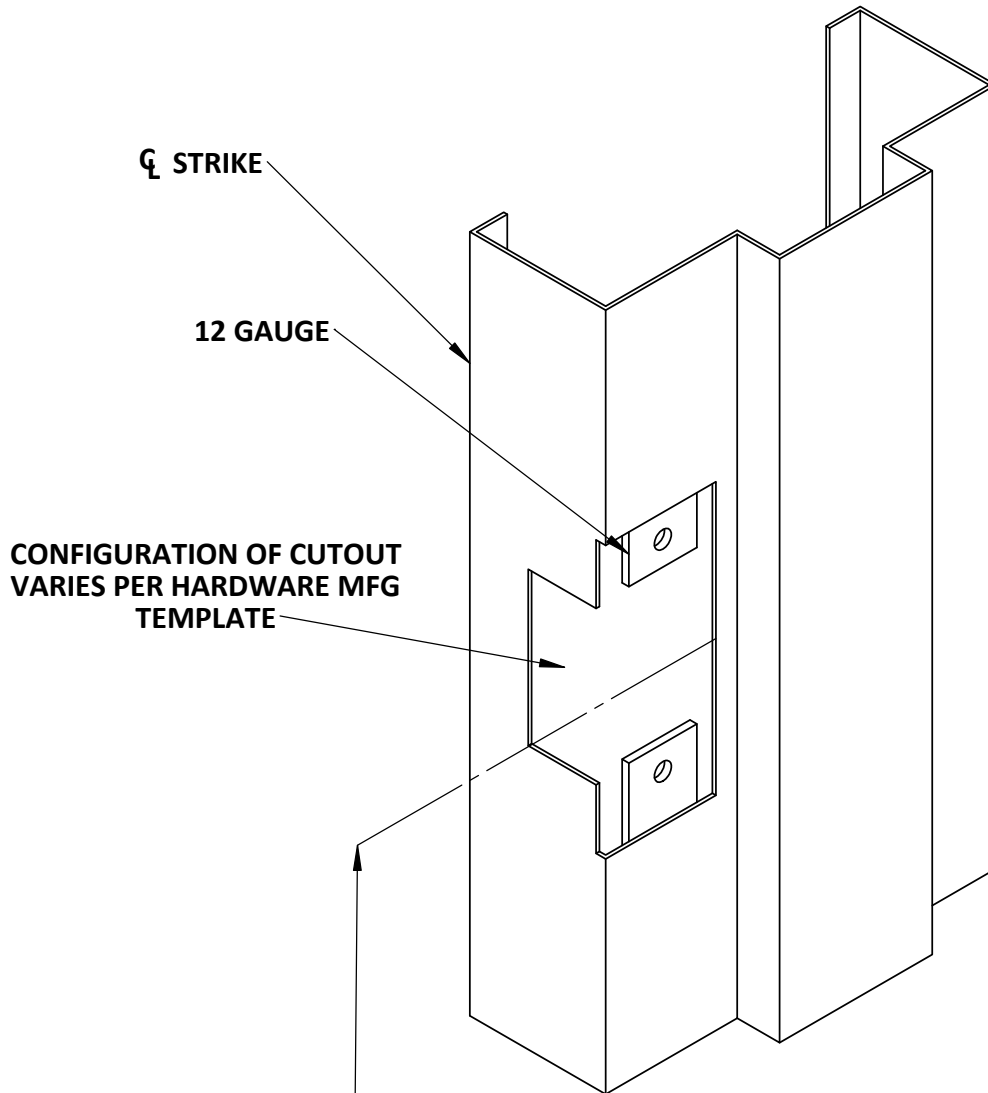


SCREW HOLES ARE EXTRUDED TO PROVIDE
THREAD DEPTH EQUAL TO 12 GAUGE PLATE

SIZE AND TAP PER ANSI 115.4

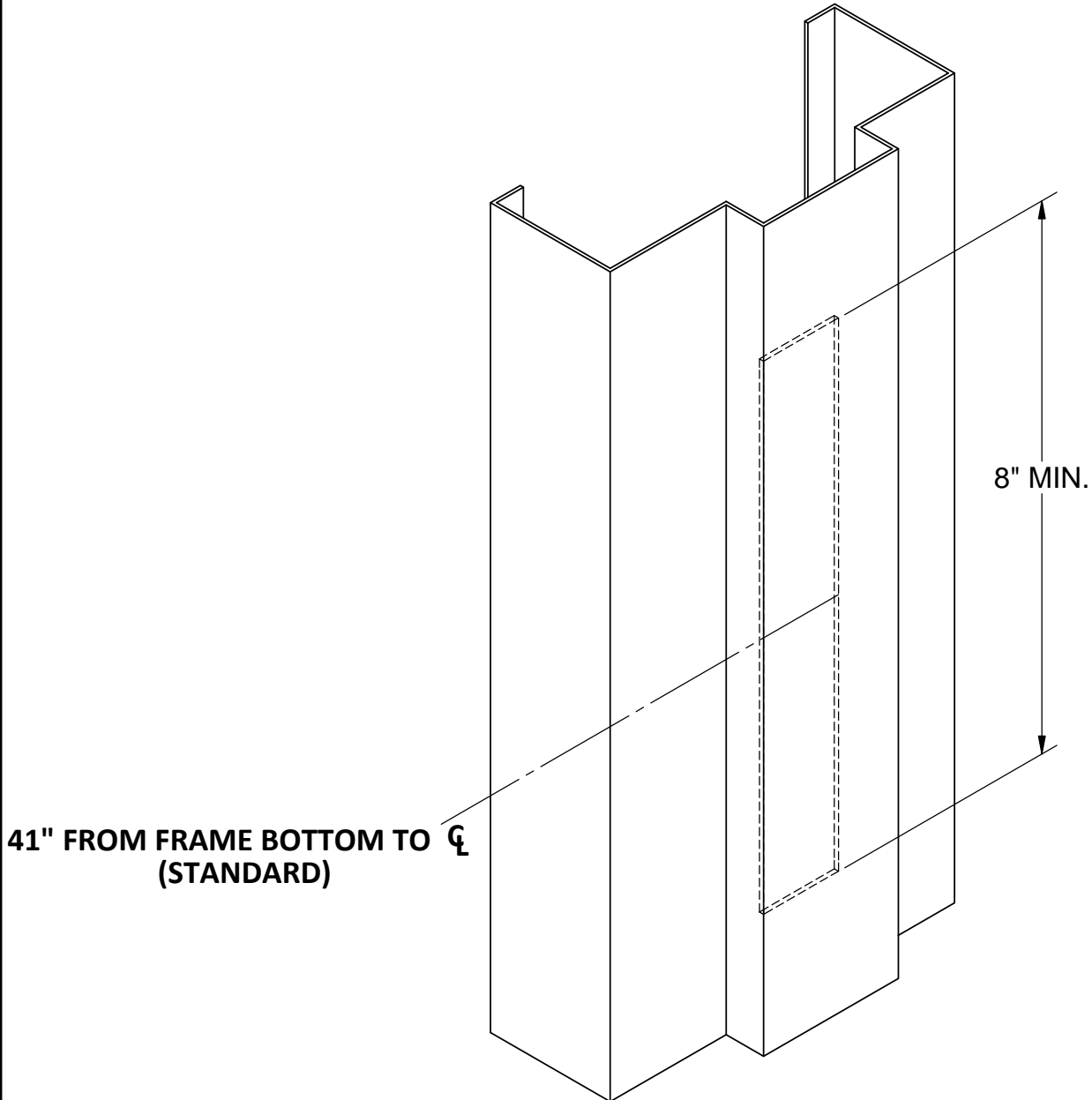


FRAME DETAILS
ELECTRIC STRIKE

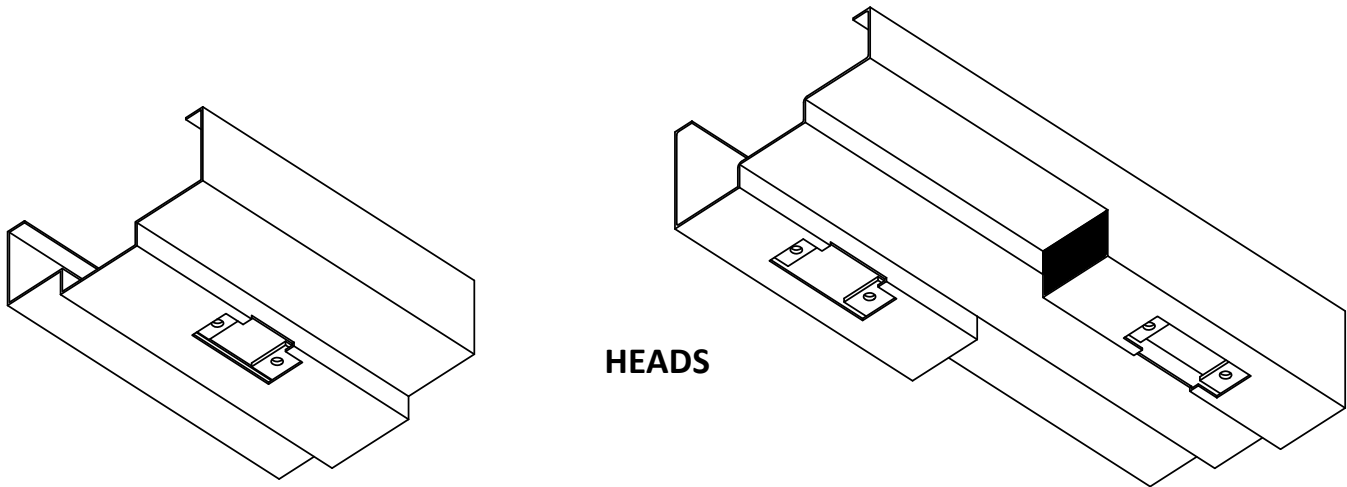
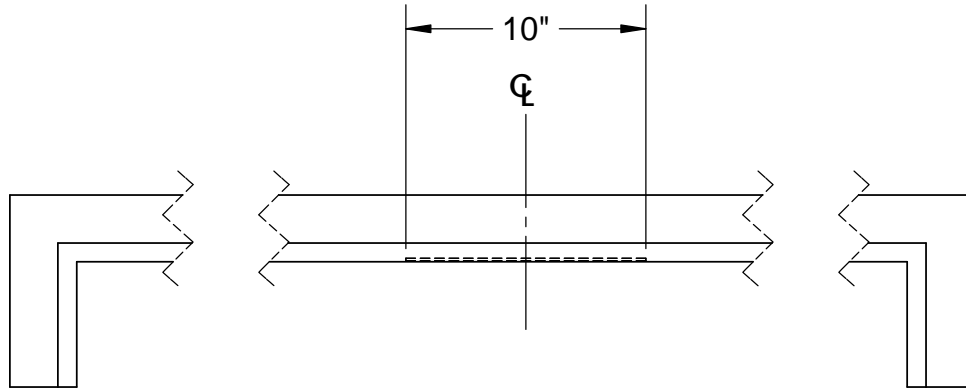


VERTICAL LOCATION OF ELECTRIC STRIKE WILL VARY WITH THE HARDWARE MANUFACTURER, WHEN ORDERING FRAMES PREPARED FOR AN ELECTRIC STRIKE, SPECIFY THE TYPE OF LOCK BEING USED ALONG WITH CENTERLINE DIMENSION REQUIRED OF THE LOCK.

FRAME DETAILS
RIM EXIT DEVICE STRIKE REINFORCEMENT



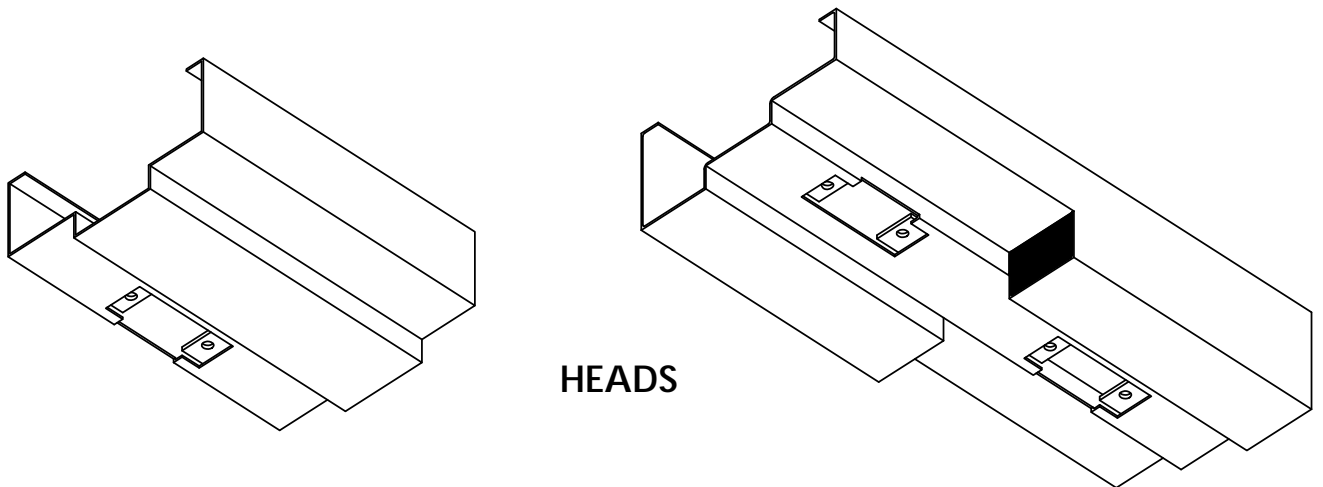
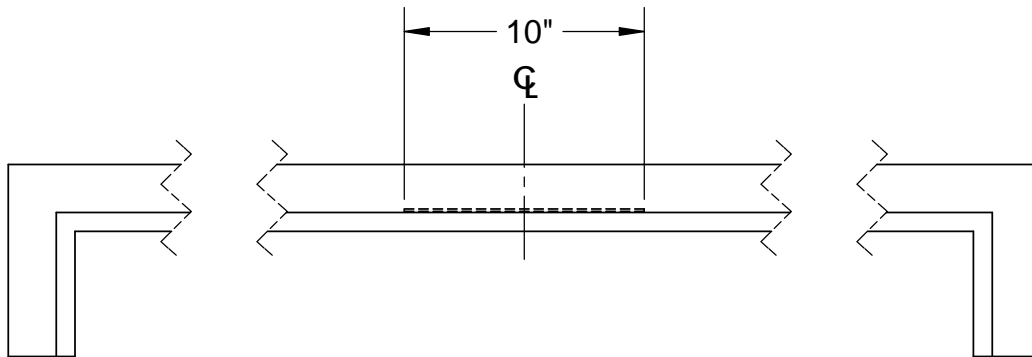
**FRAME DETAILS
SVR EXIT DEVICE STRIKE REINFORCEMENT / PREPARATION**



**PREPARED FOR MORTISE STRIKES PER
TEMPLATE OF HARDWARE MANUFACTURER**

**SPECIFY EXIT DEVICE AND STRIKE
BEING USED WHEN ORDERING**

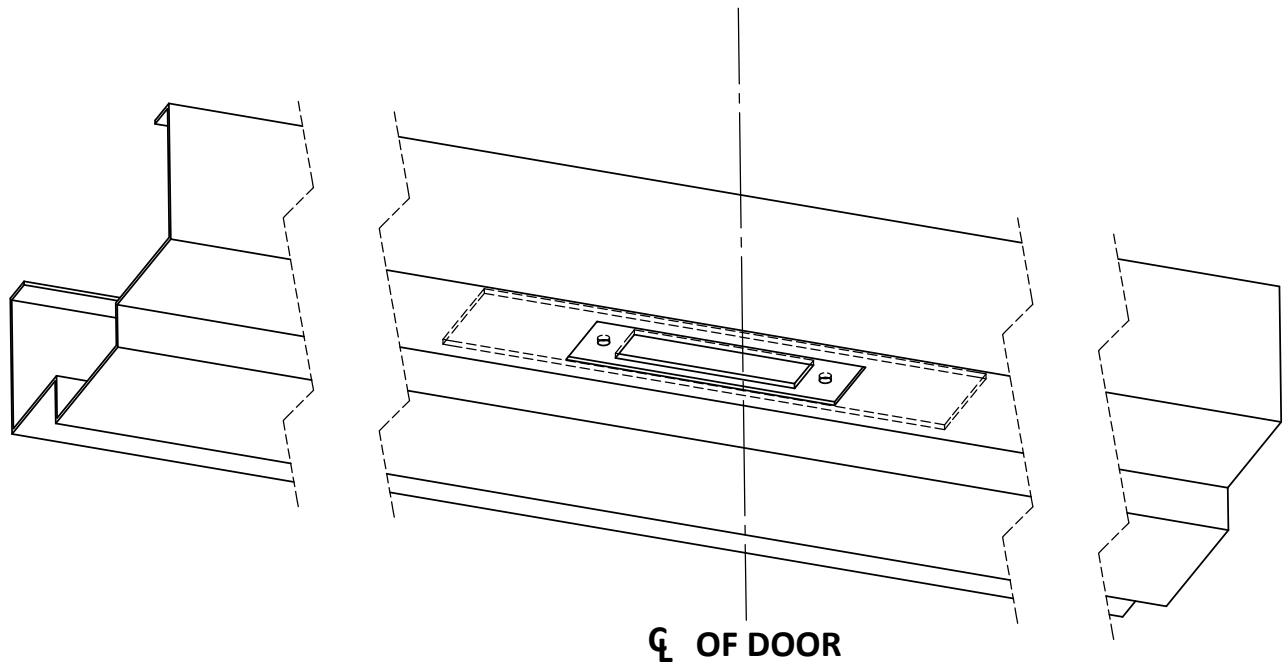
**FRAME DETAILS
CVR EXIT DEVICE STRIKE REINFORCEMENT / PREPARATION**



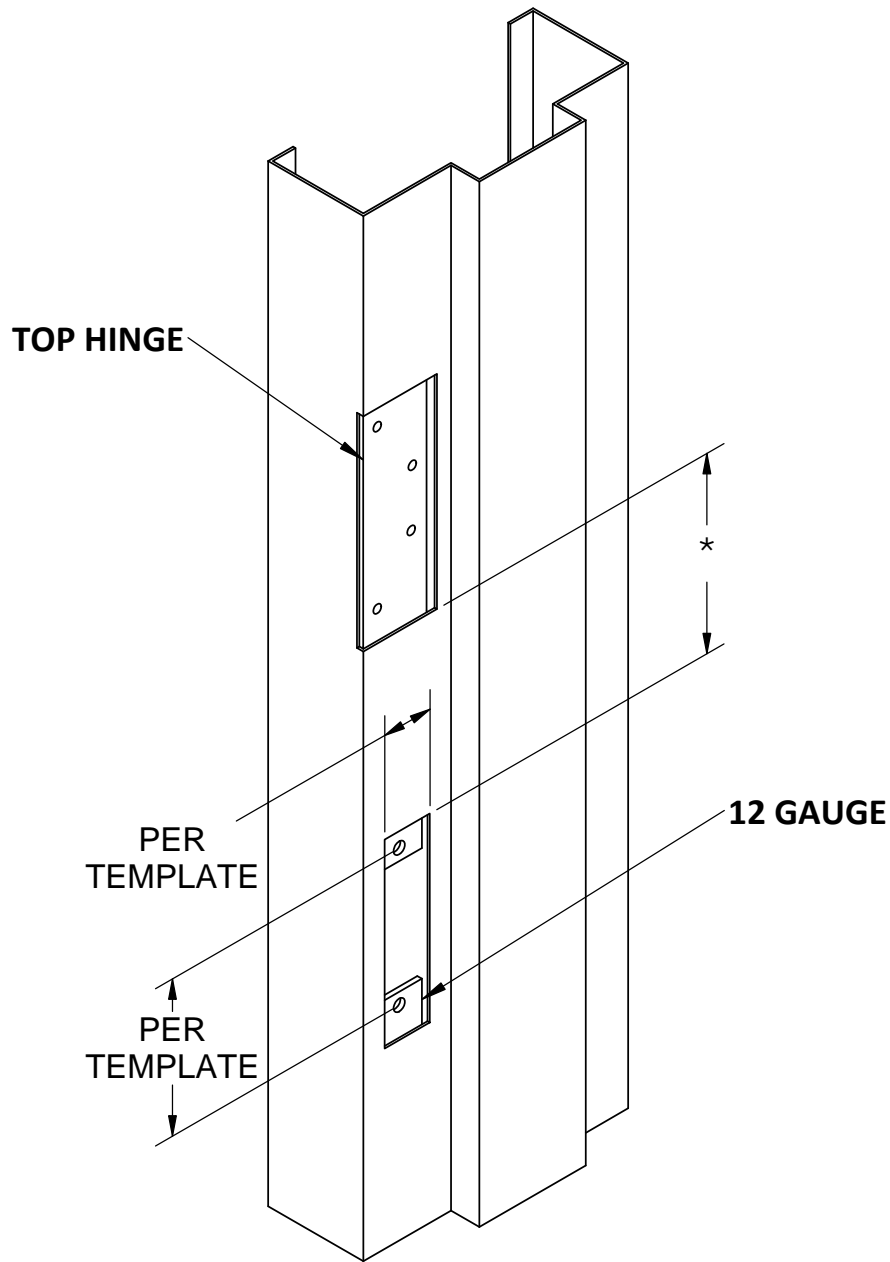
**PREPARED FOR MORTISE STRIKES PER
TEMPLATE OF HARDWARE MANUFACTURER**

**SPECIFY EXIT DEVICE AND STRIKE
BEING USED WHEN ORDERING**

FRAME DETAILS
FLUSHBOLT STRIKE PREPARATION

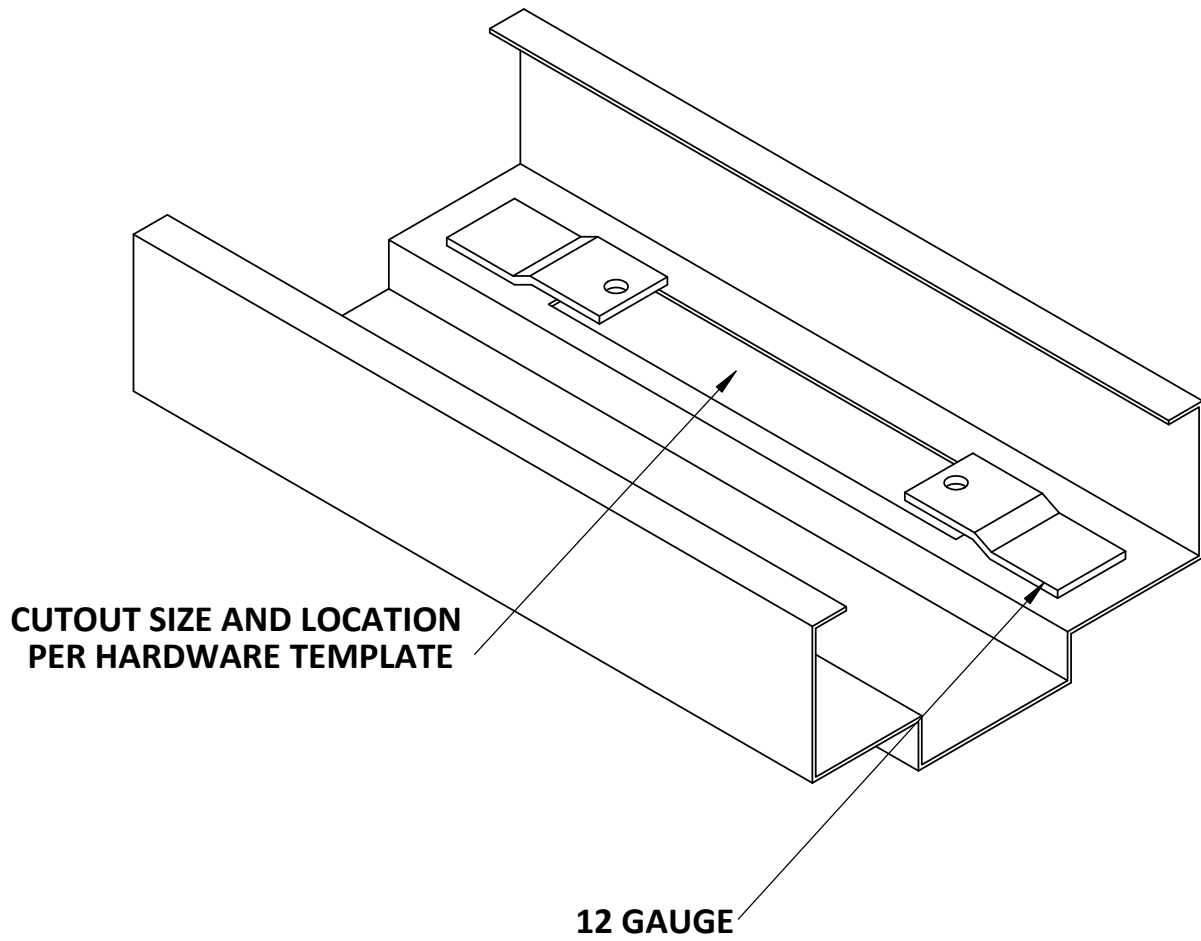


FRAME DETAILS
ELECTRIC POWER TRANSFER (EPT)



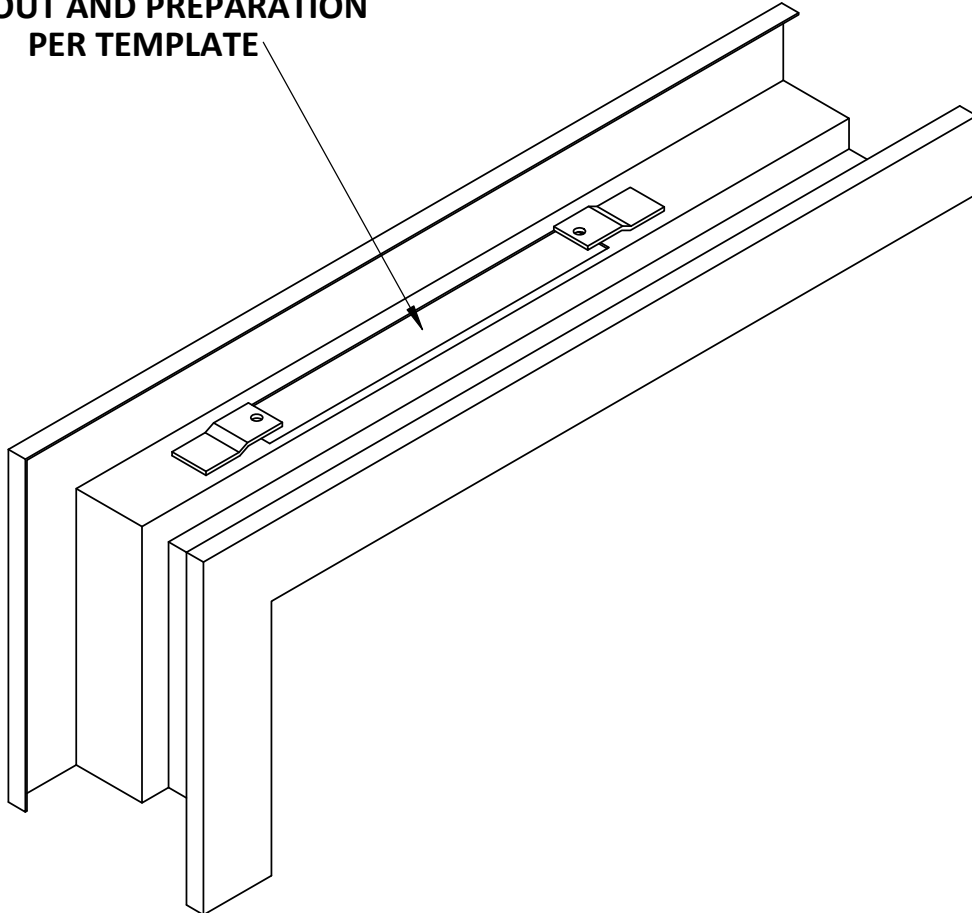
* LOCATION PER TEMPLATE. IF NO LOCATION ON TEMPLATE, THEN LOCATION MUST BE SPECIFIED WITH ORDER. THE QUANTITY OF HINGES MAY REQUIRE COORDINATION OF LOCATION WITH DOOR, (EX. 4 HINGES ON A 7'0") WOOD DOORS MAY REQUIRE OTHER LOCATIONS.

FRAME DETAILS
CONCEALED DOOR POSITION SWITCH



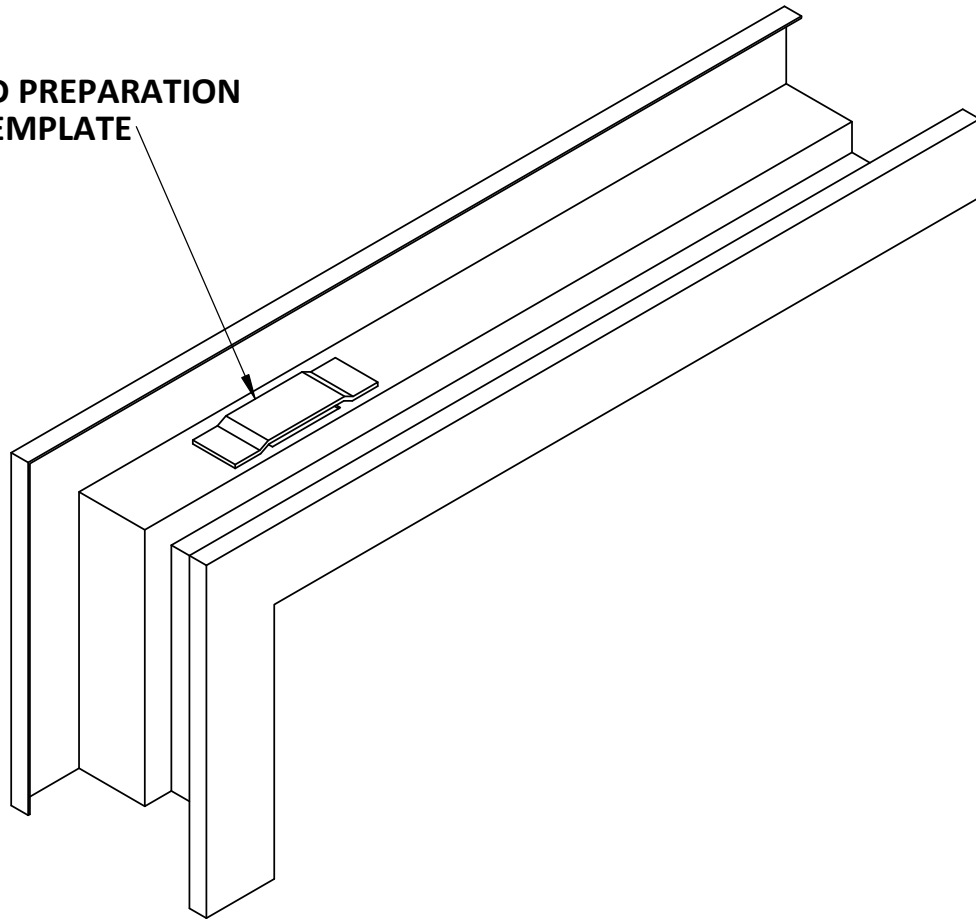
FRAME DETAILS
CONCEALED CLOSER PREPARATION

CUT OUT AND PREPARATION
PER TEMPLATE

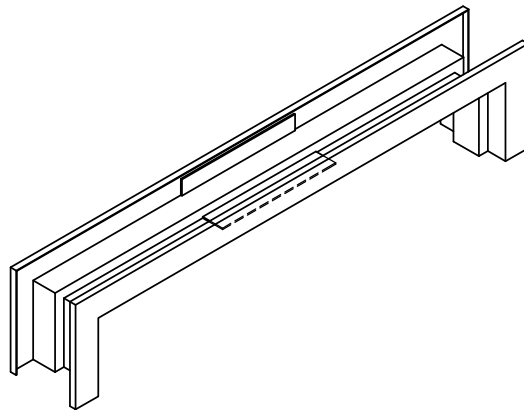
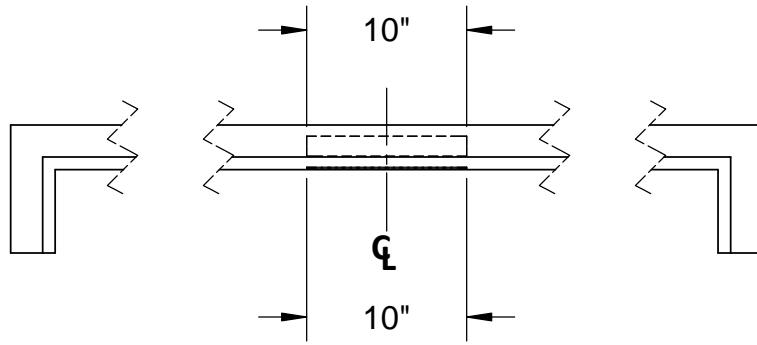


FRAME DETAILS
CONCEALED STOP AND HOLDER

CUT OUT AND PREPARATION
PER TEMPLATE



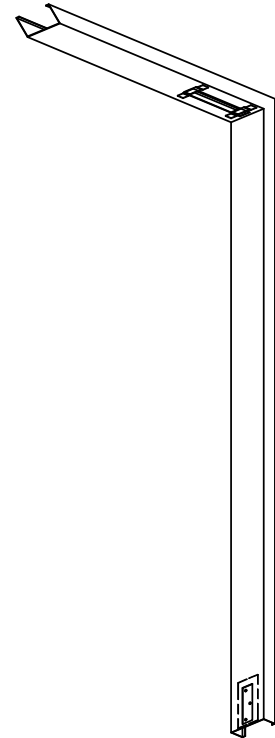
FRAME DETAILS
SURFACE BOLT STRIKE REINFORCEMENT



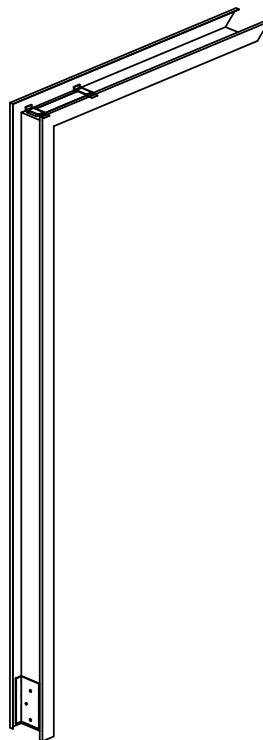
**FRAME DETAILS
PIVOTS- TOP AND BOTTOM**



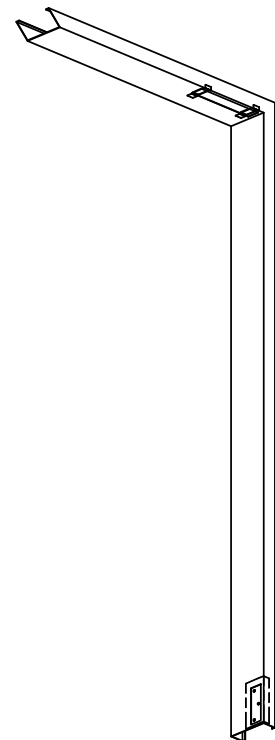
CENTER HUNG



**SIZED, DRILLED, AND TAPPED
PER TEMPLATE**



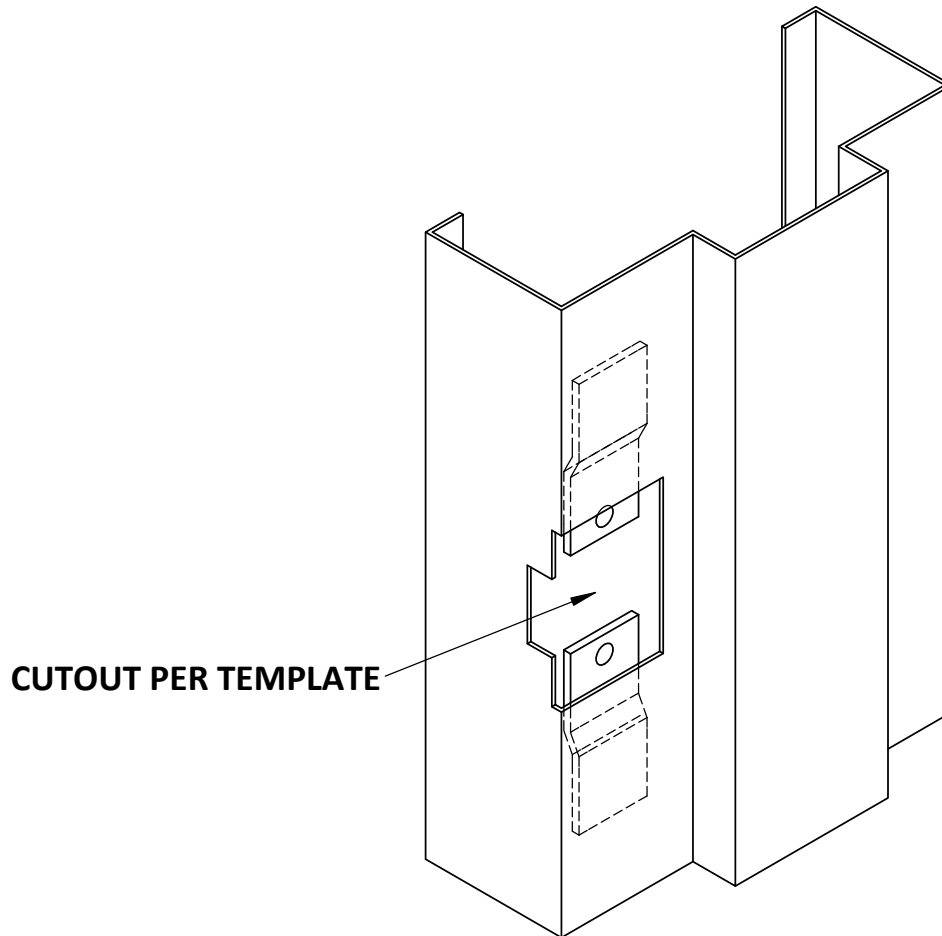
EDGE HUNG



**SIZED, DRILLED, AND TAPPED
PER TEMPLATE**

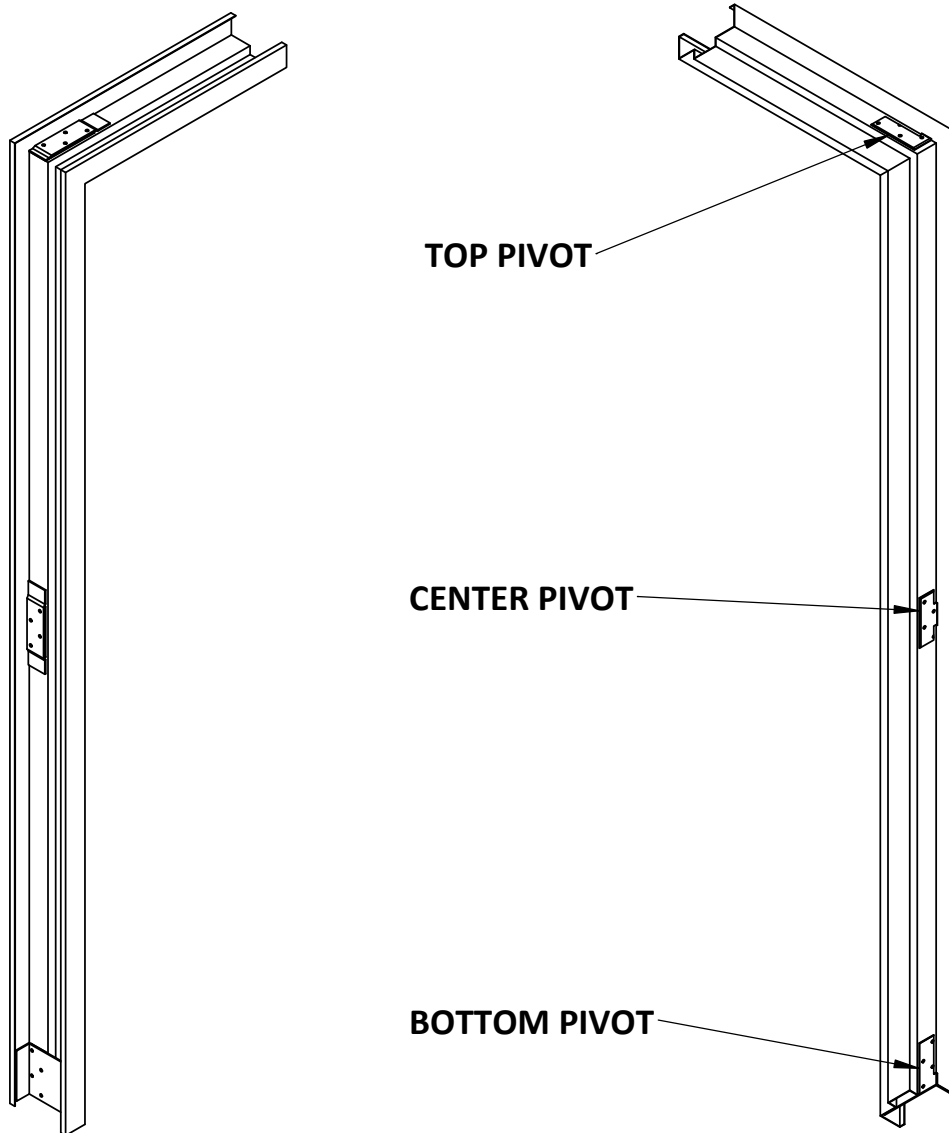


FRAME DETAILS
POCKET PIVOTS



SIZE, DRILL, AND TAP PER TEMPLATE

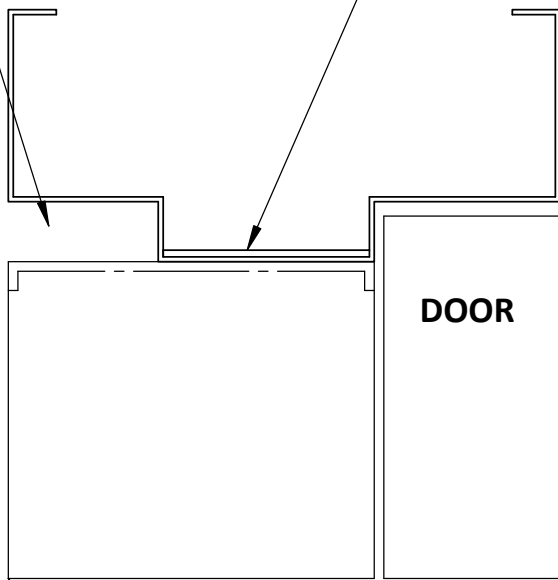
FRAME DETAILS
OFFSET PIVOTS, TOP, CENTER, AND BOTTOM



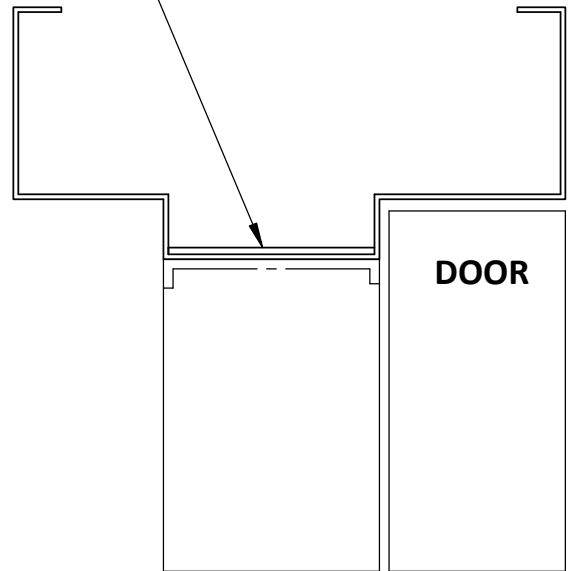
**FRAME DETAILS
REMOVABLE HARDWARE MULLION REINFORCEMENT**

FILLER BLOCK NOT INCLUDED

12 GAUGE REINFORCING PLATE



HARDWARE MULLION ASSEMBLY



HARDWARE MULLION ASSEMBLY

